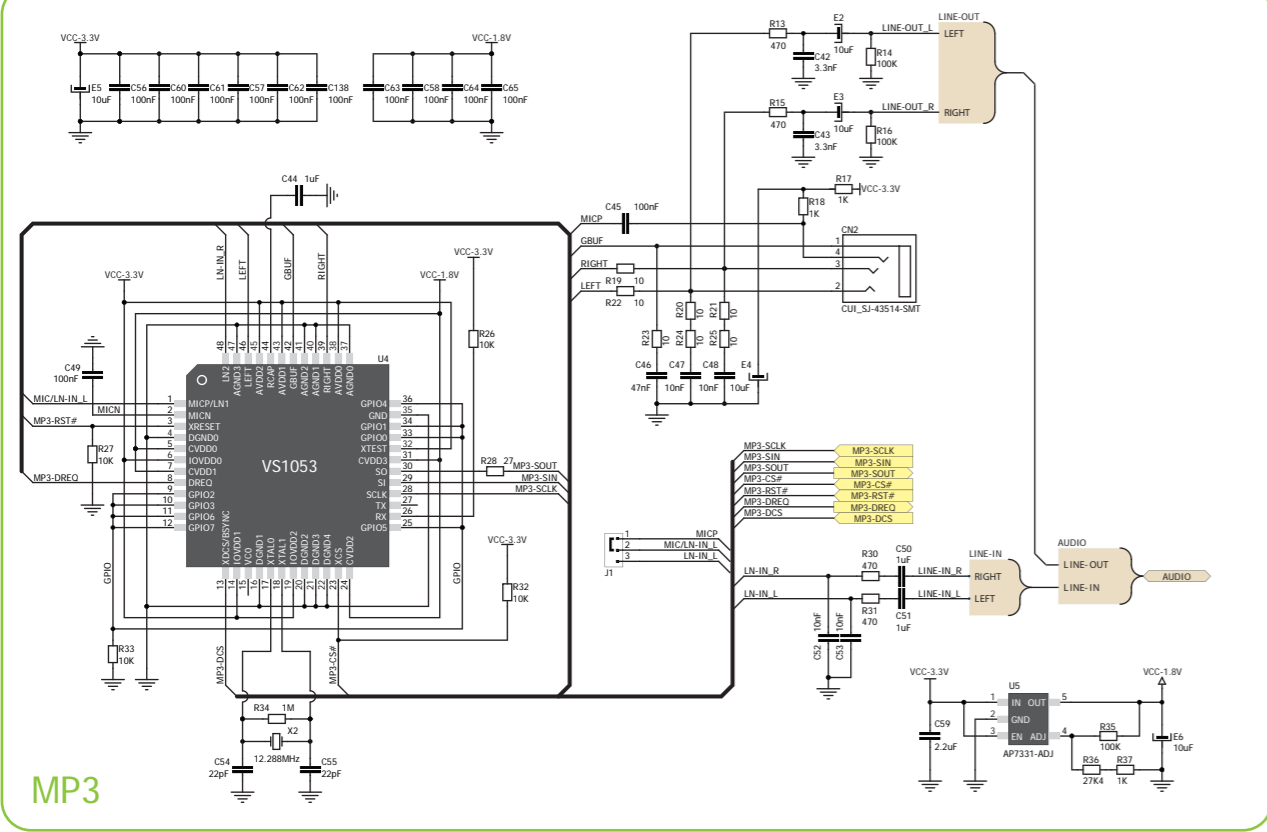


# mikromedia™+

for Stellaris® ARM®

We present you with a complete color schematics for mikromedia™+ for Stellaris® ARM® development board. We want you to know what your board is consisted of and how it actually works.

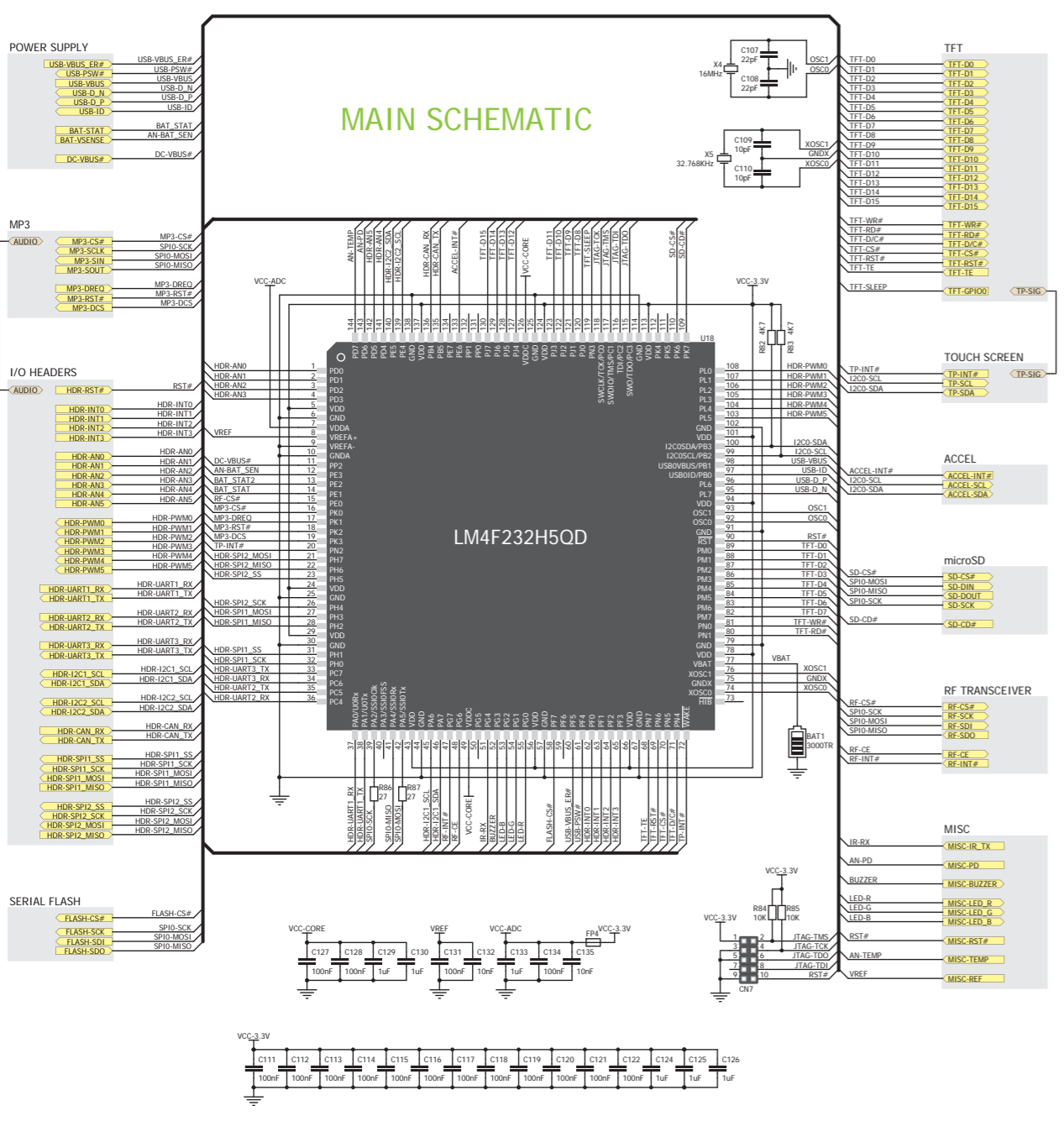


MP3



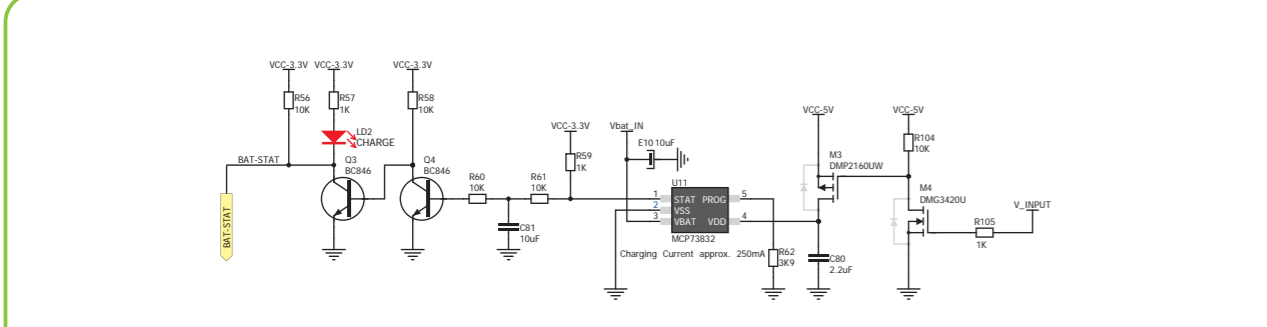
mikromedia Plus for Stellaris® ARM® Schematic  
ver. 1.02  
0 100000 023532

Designed by  
MikroElektronika Ltd.  
www.mikroe.com  
April 2013.

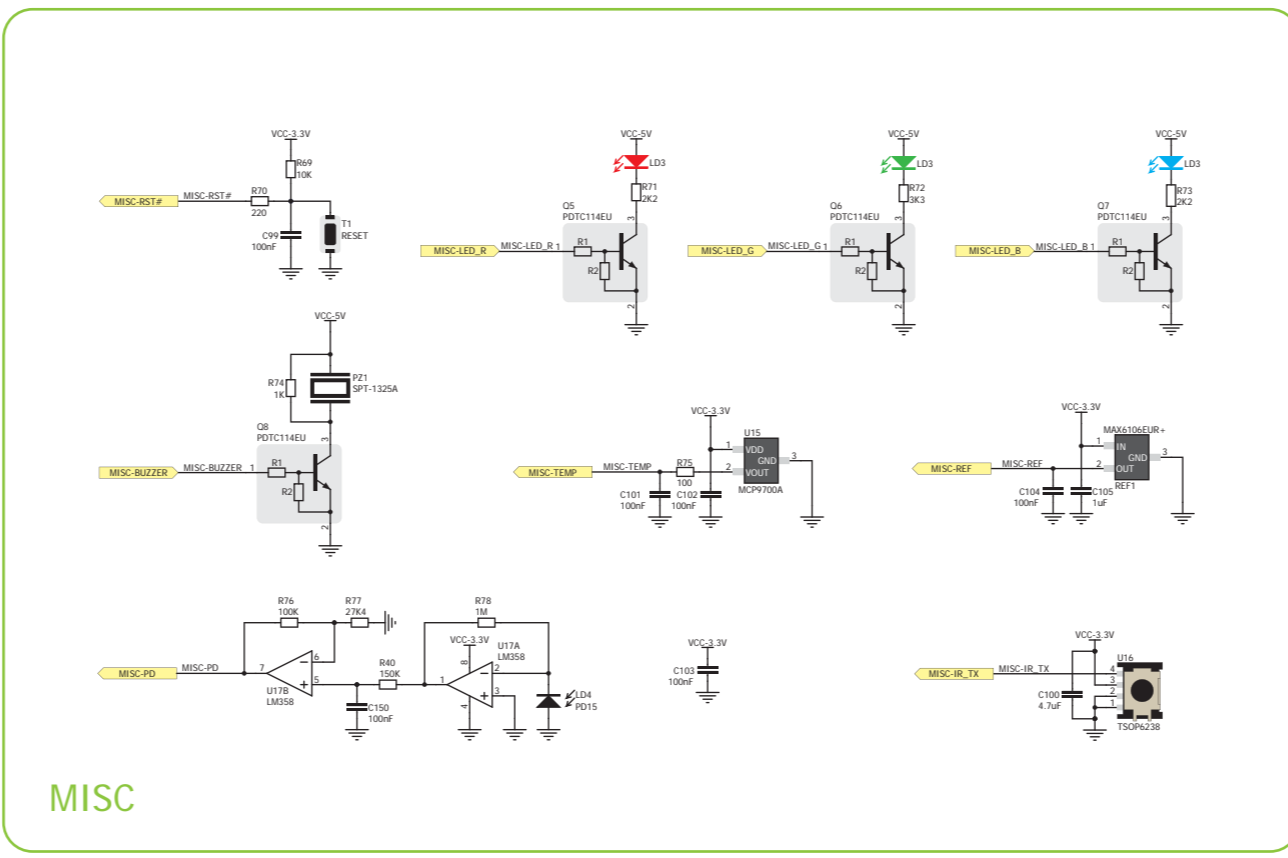


## MAIN SCHEMATIC

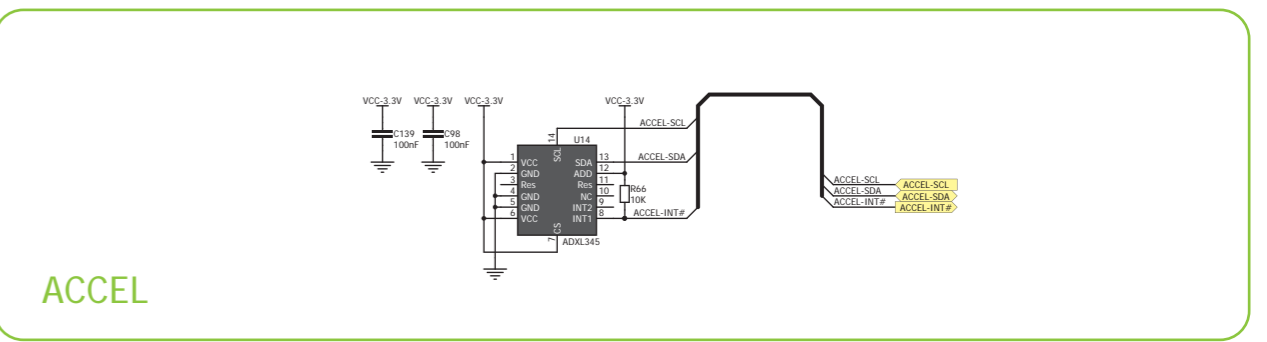
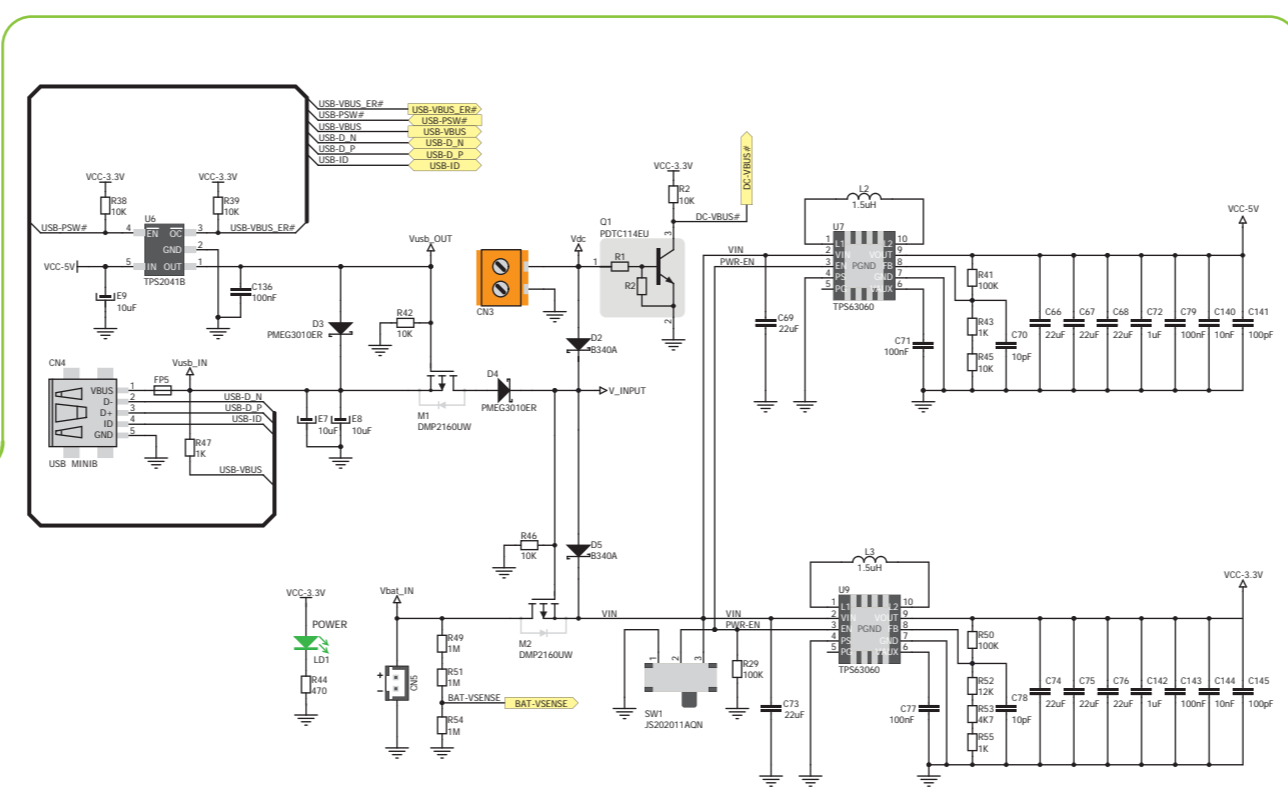
### LM4F232H5QD



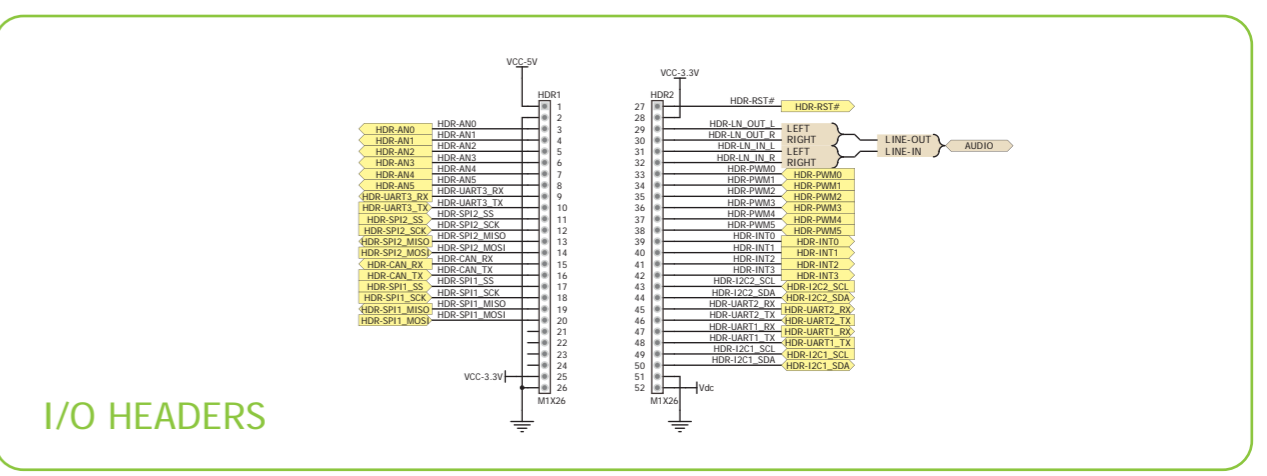
POWER SUPPLY



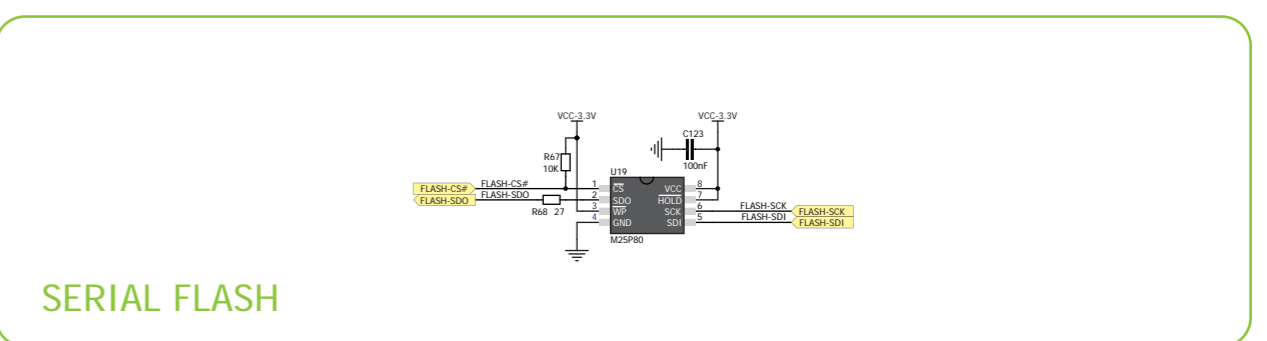
MISC



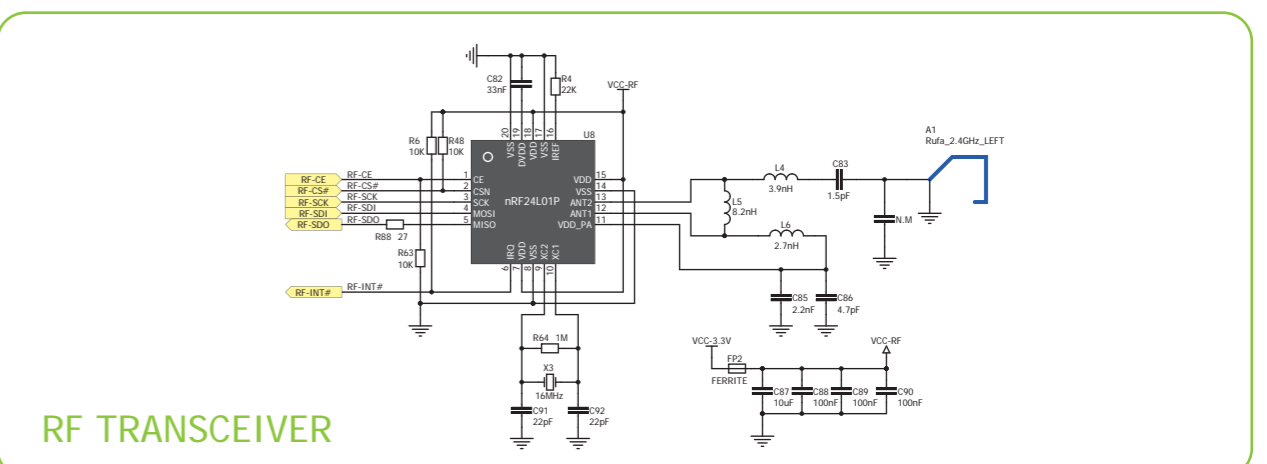
ACCEL



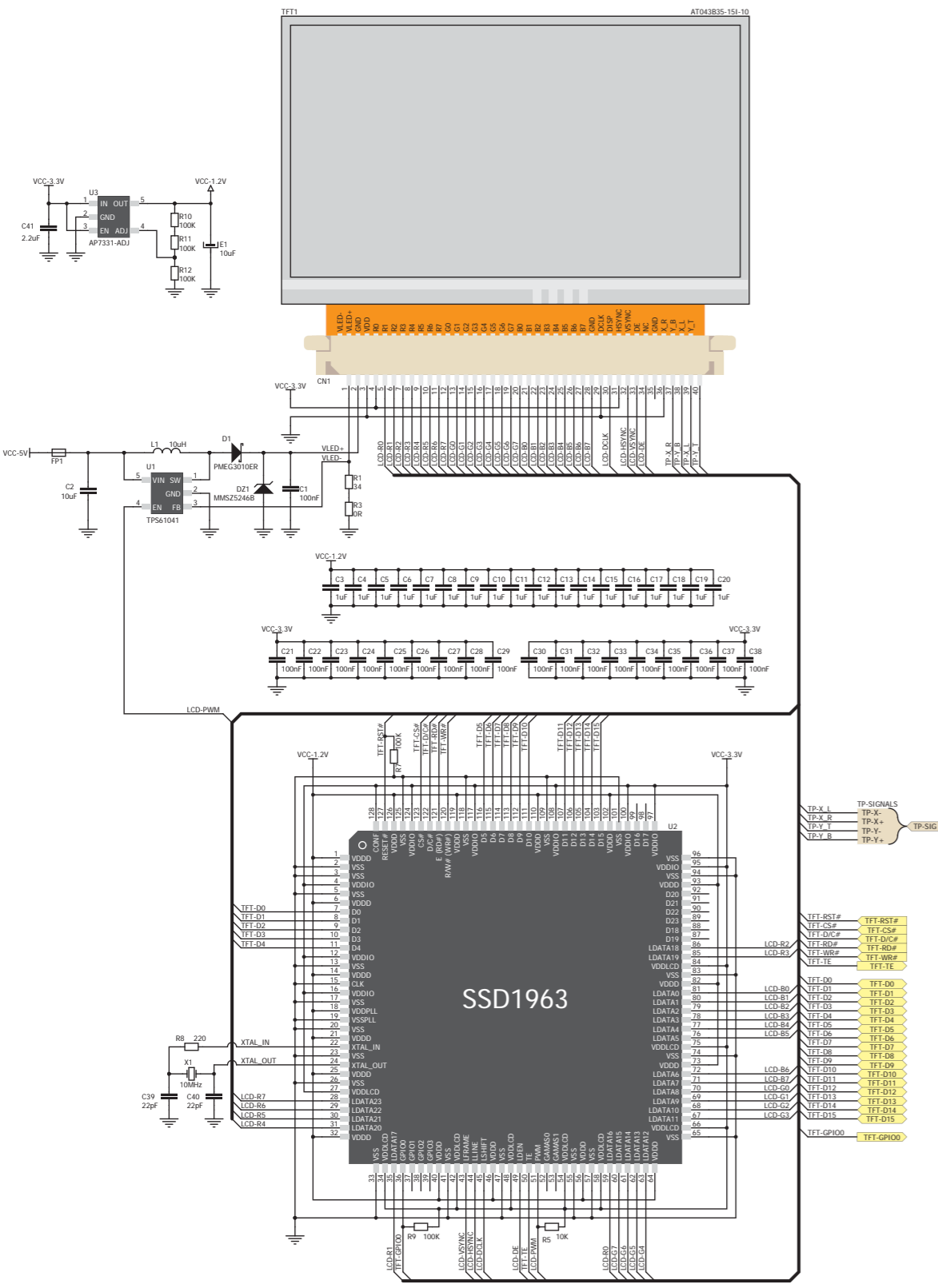
I/O HEADERS



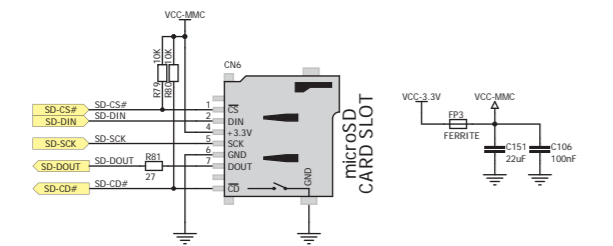
SERIAL FLASH



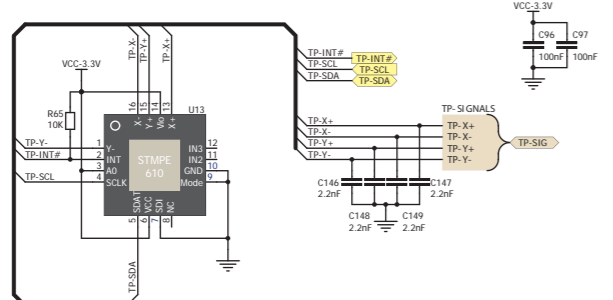
RF TRANSCEIVER



TFT



microSD



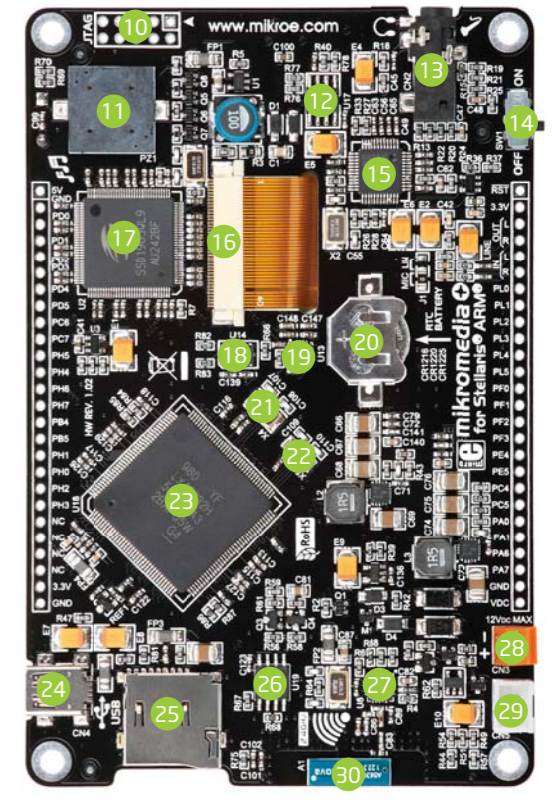
TOUCH SCREEN

Board components (front)



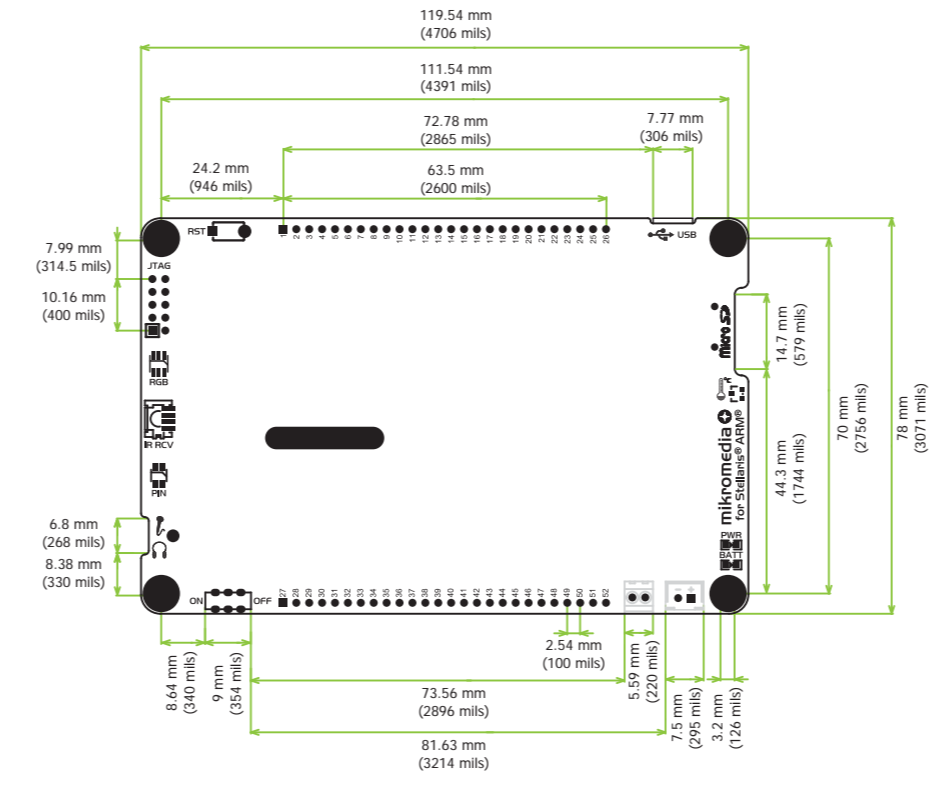
- 01 PIN photodiode
- 02 IR receiver
- 03 RGB LED diode
- 04 RESET button
- 05 Connection pads
- 06 TFT 480x272 display
- 07 Charge indication LED
- 08 Power indication LED
- 09 Analog temperature sensor
- 10 JTAG/SWD programmer connector
- 11 Buzzer
- 12 Operational amplifiers
- 13 3.5mm audio connector
- 14 ON/OFF Switch
- 15 VS1053 Stereo mp3 coder/decoder

- 16 Flat cable connector
- 17 Display controller
- 18 Accelerometer
- 19 Touch screen controller
- 20 Battery holder
- 21 16MHz Crystal oscillator
- 22 32.768kHz Crystal oscillator
- 23 Stellaris® ARM® Cortex™-M4 LM4F232H5QD
- 24 USB MINI-B connector
- 25 microSD card slot
- 26 Serial Flash memory
- 27 nRF transceiver chip
- 28 Power screw terminals
- 29 LI-Polymer battery connector
- 30 2.4GHz Antenna



Board components (back)

Board dimensions

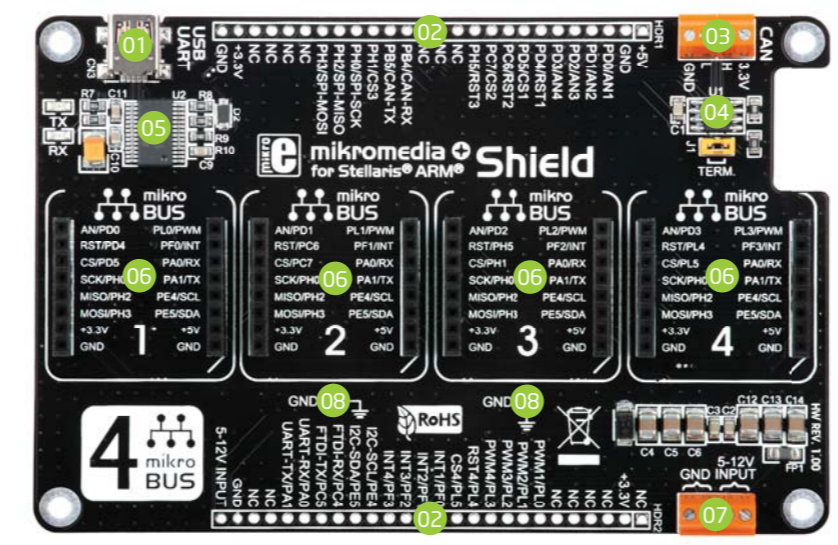


Board PINOUT



■ CAN Lines ■ Analog Lines ■ Interrupt Lines ■ SPI Lines ■ I2C Lines ■ UART lines ■ PWM lines

mikromedia Shield



- 01 USB MINI-B connector
- 02 Connection pads
- 03 CAN screw terminals
- 04 CAN transceiver chip
- 05 FTDI chip
- 06 mikroBUS sockets
- 07 Power supply screw terminals
- 08 Additional GNDs