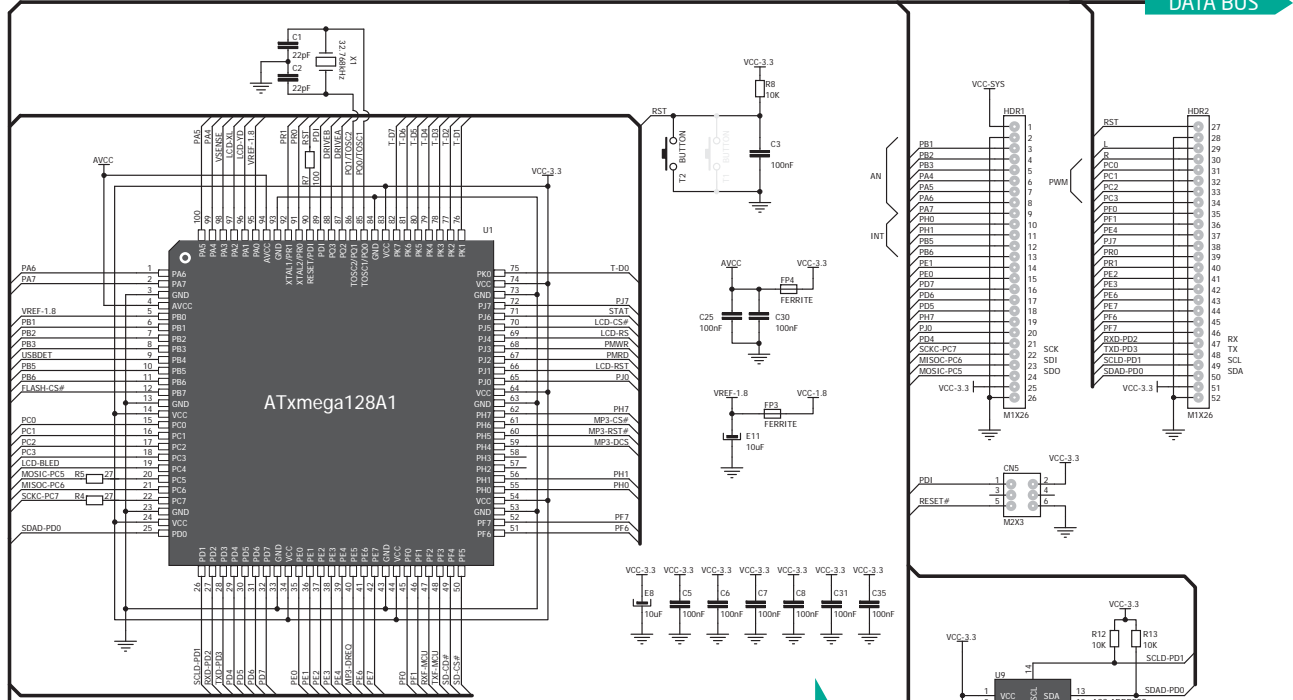
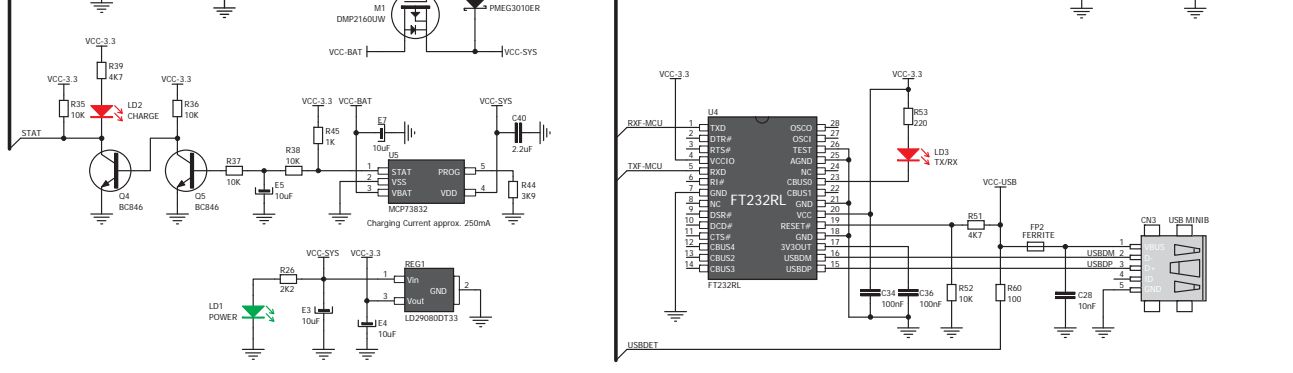
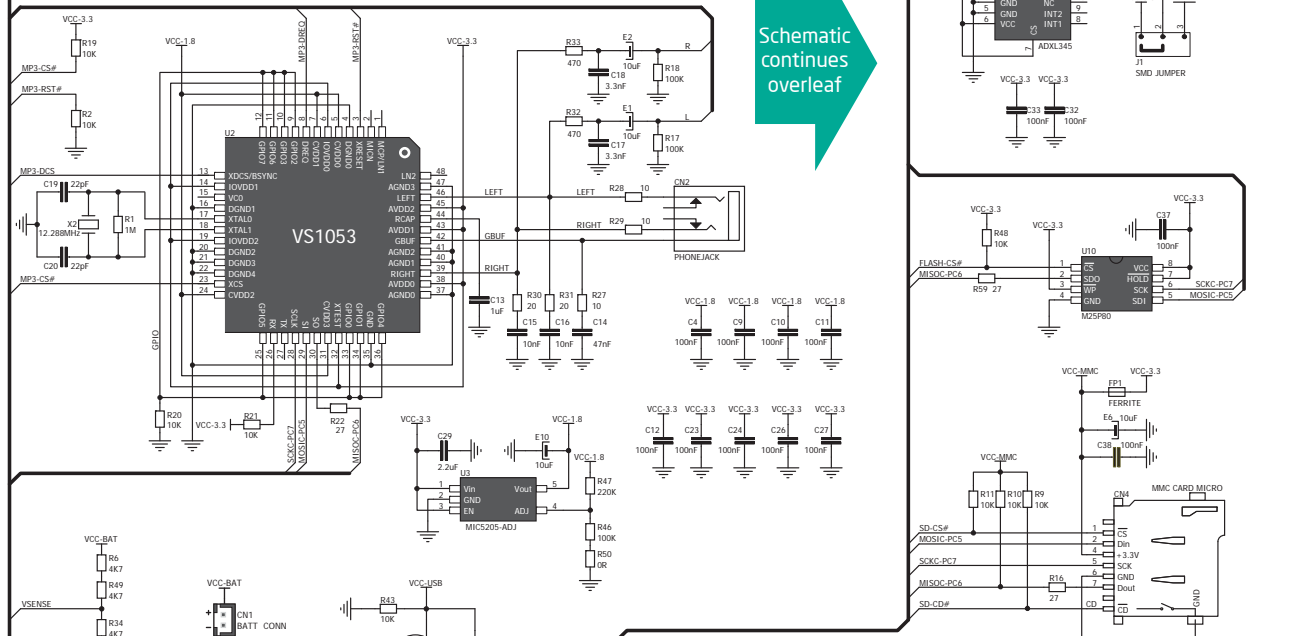


# mikromedia™ for XMEGA®

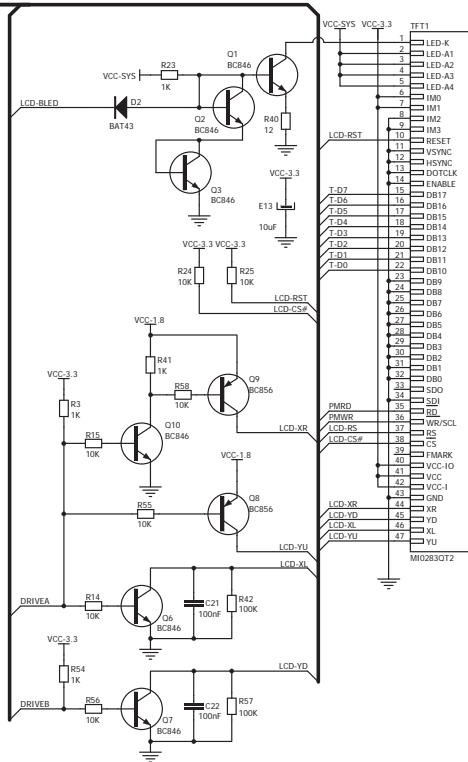
We present you with a complete color schematics for mikromedia™ for XMEGA® development board. We want you to know what your board is consisted of and how it actually works.



Schematic continues overleaf



Schematic continues overleaf



TFT 320x240 display with 262.144 colors

mikromedia for XMEGA Schematics  
ver. 1.11



HW REV. 1.11