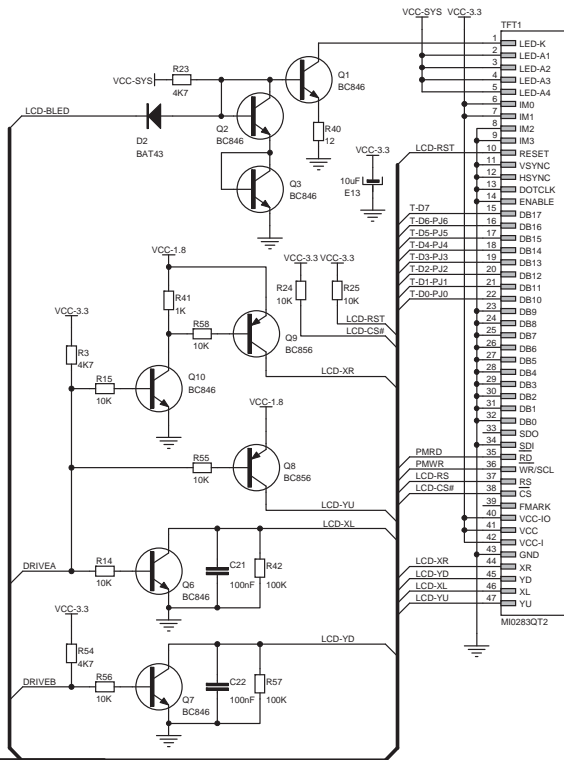


mikromedia™ for Stellaris® M3

We present you with a complete color schematics for mikromedia™ for Stellaris® M3 development board. We want you to know what your board is consisted of and how it actually works.



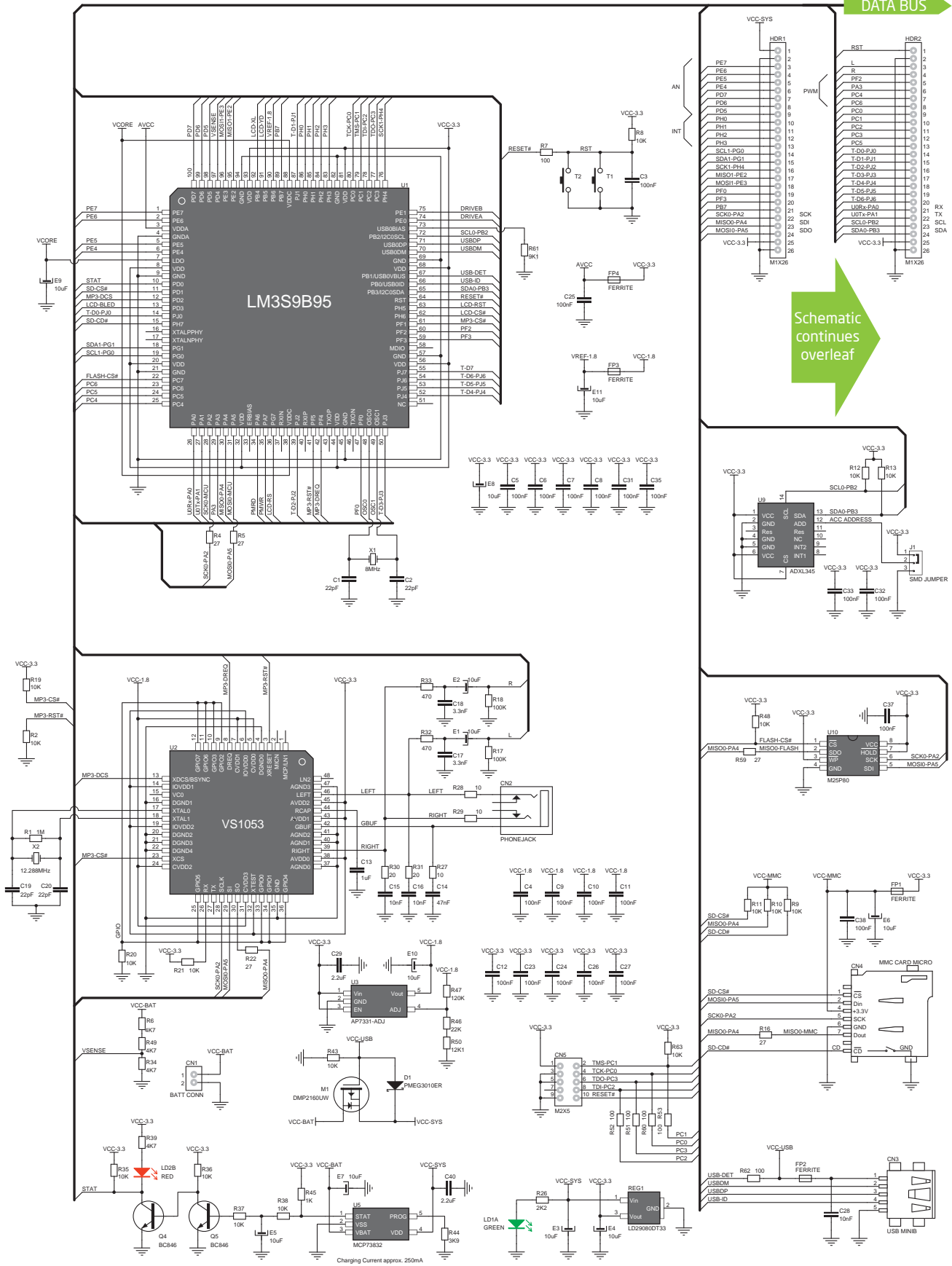
Schematic continues overleaf



TFT 320x240 display with 262.144 colors



DATA BUS
HW REV. 1.01



Schematic continues overleaf