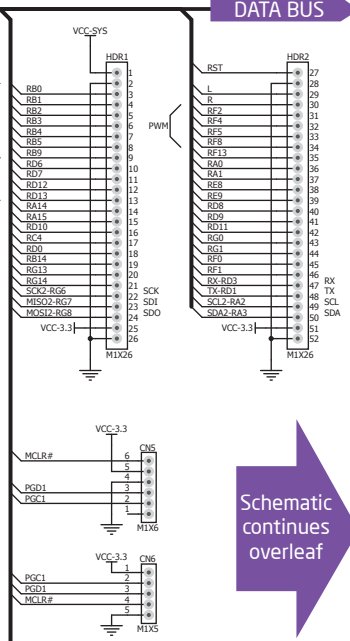
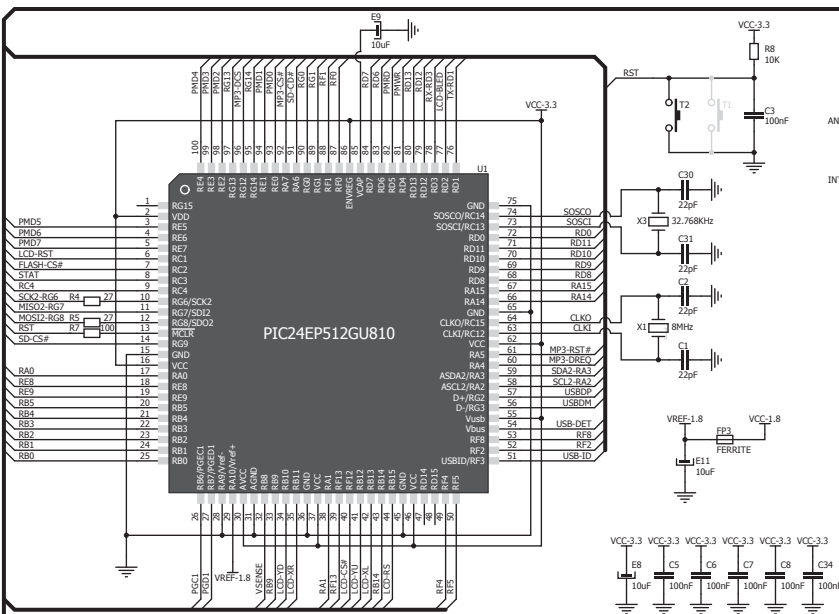


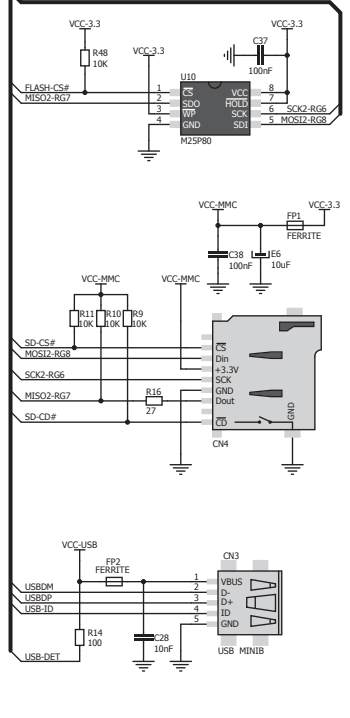
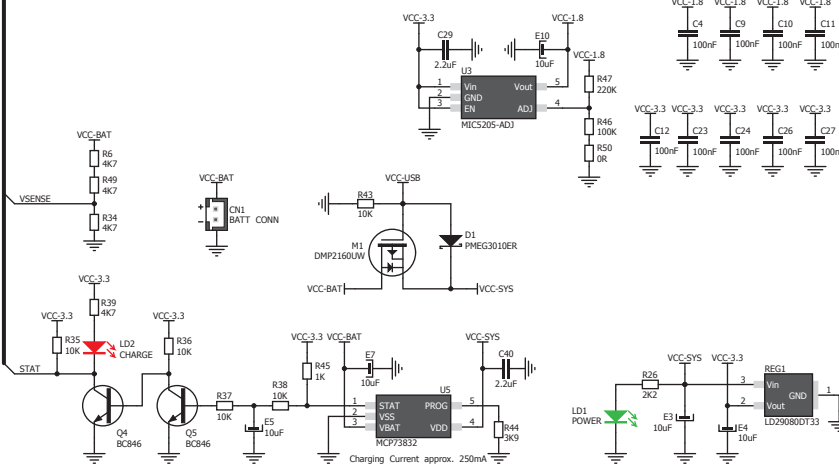
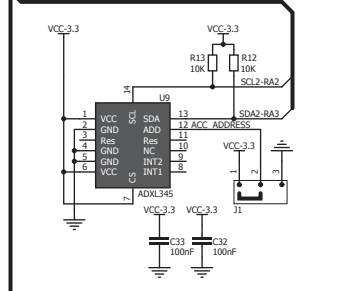
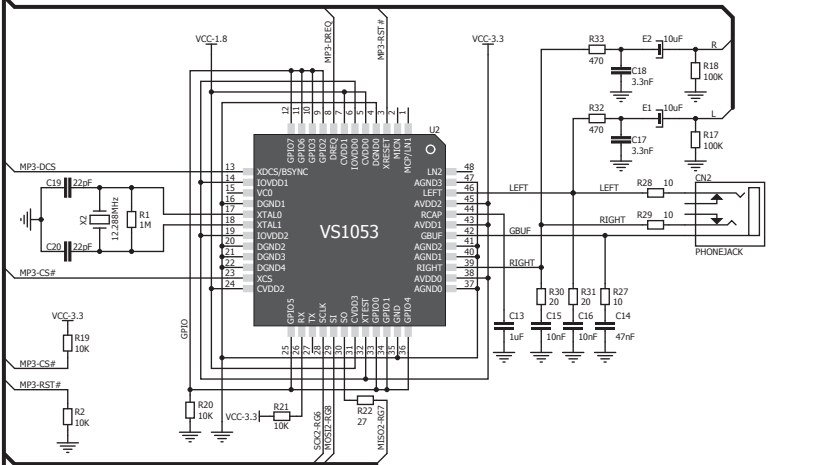
SCHEMATICS

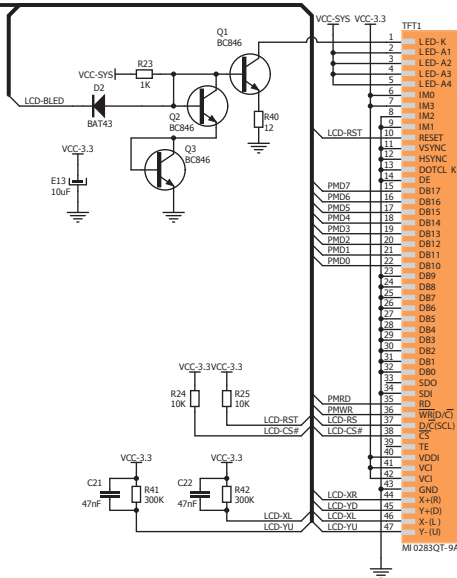
mikromedia™ for PIC24EP®

We present you with a complete color schematics for mikromedia™ for PIC24EP® development board. We want you to know what your board is consisted of and how it actually works.

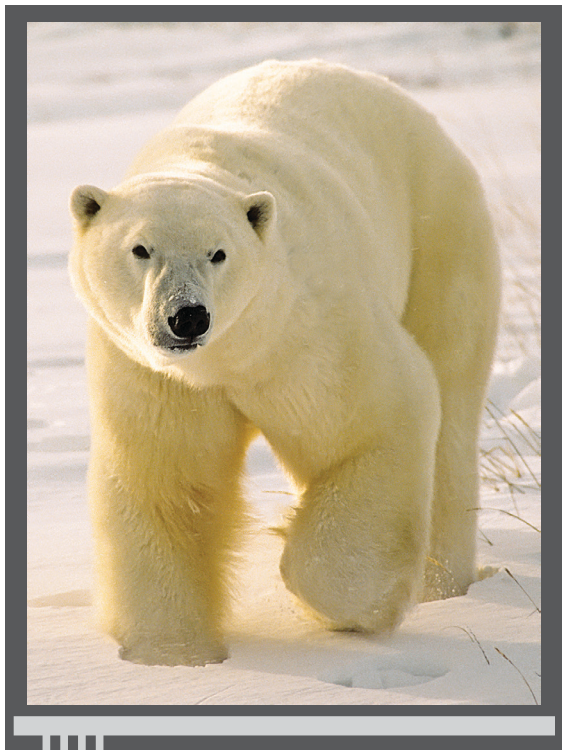


Schematic continues overleaf





Schematic continues overleaf



TFT 320x240 display with 262.144 colors

mikromedia for PIC24EP Schematic ver. 1.00b



HW REV. 1.00

Copyright © 2014 MikroElektronika. All Rights Reserved.

MikroElektronika assumes no responsibility or liability for any errors or inaccuracies that may appear in the present document.

Specification and information contained in the present schematic are subject to change at any time without notice.