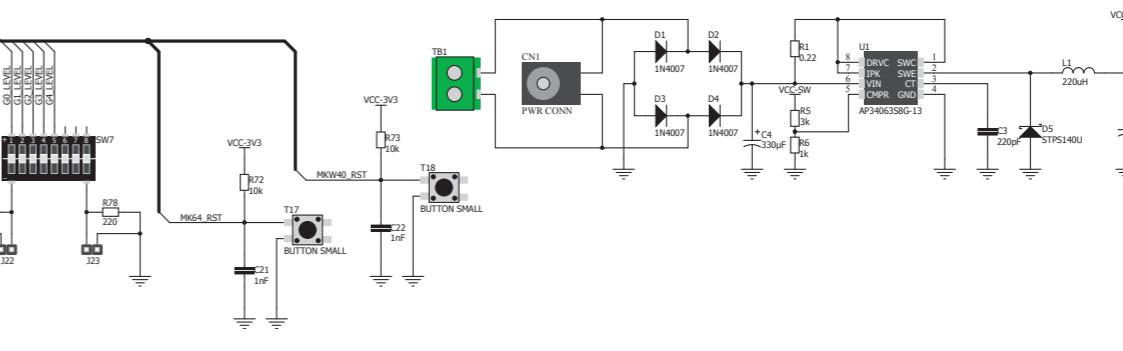
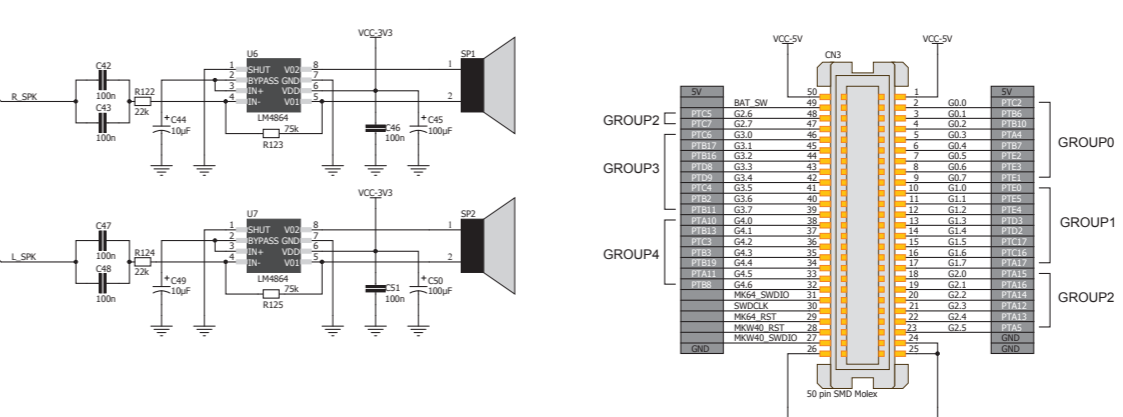
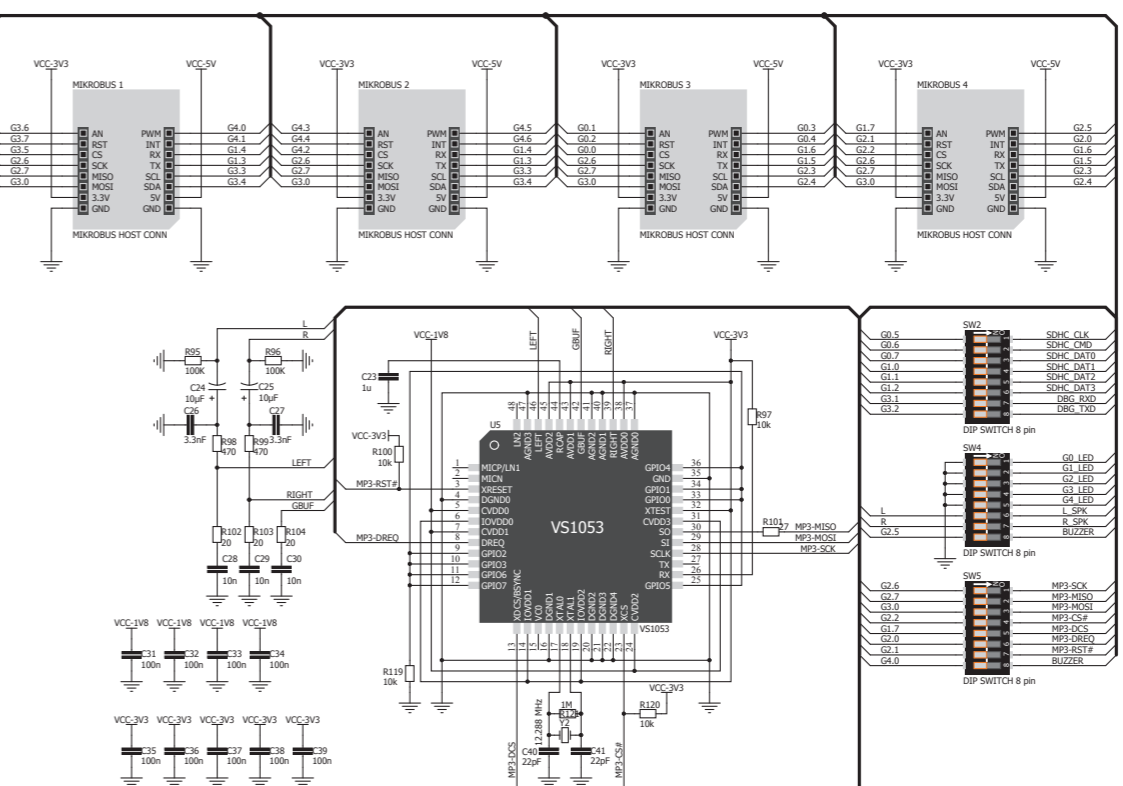
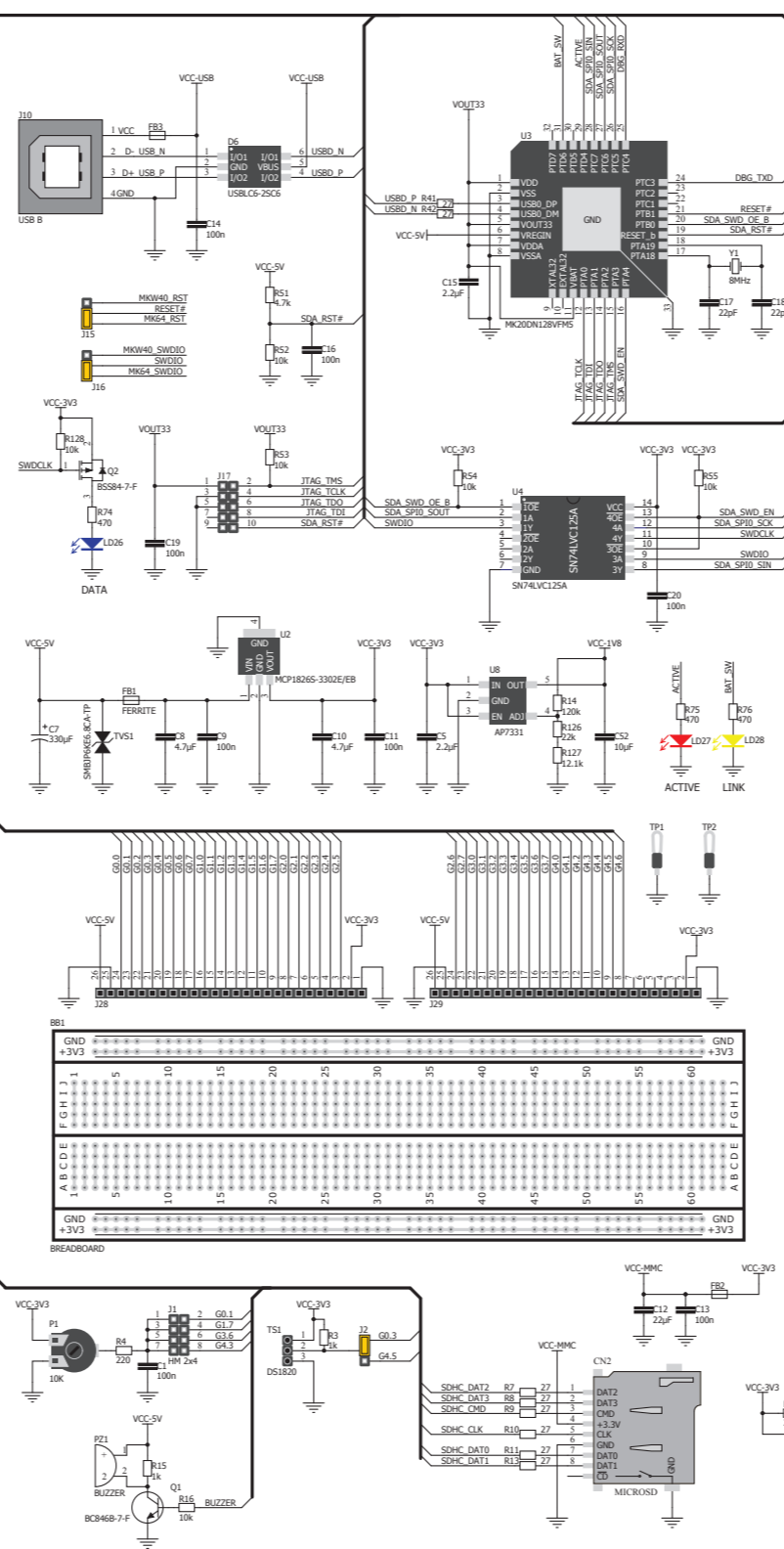
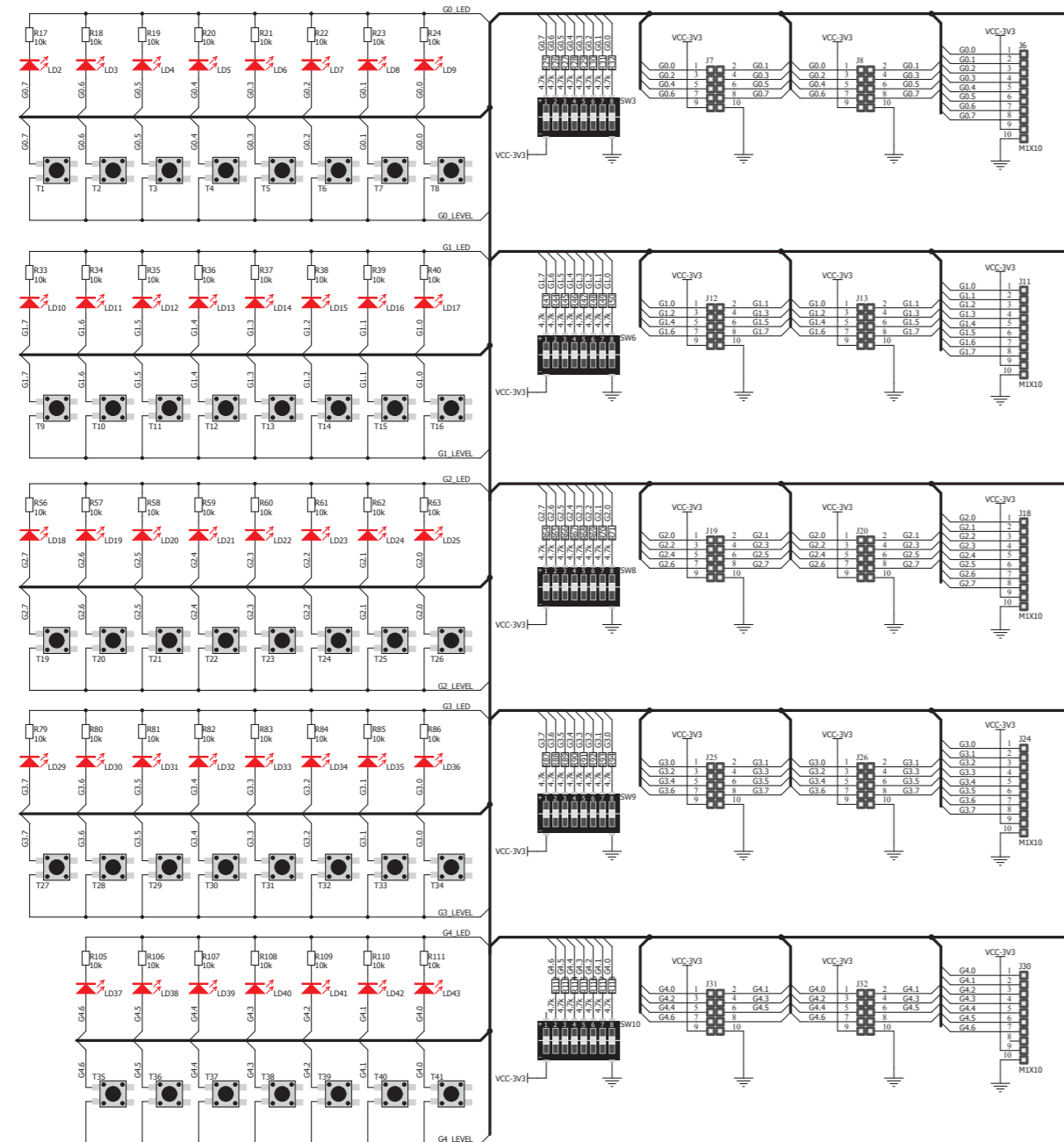
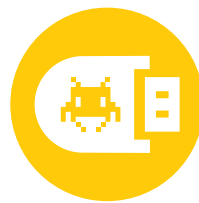


HEXIWEAR WorkStation

SCHEMATIC

We present you with a complete schematics for the Hexiwear Workstation development board - a board that is powerful, well organized, with high-quality components, onboard programmer and debugger, and lots more. The Hexiwear Workstation is ready to be your strong ally in development. We hope you will enjoy it as much as we do.





Designed by
MikroElektronika Ltd.
www.mikroe.com

Hexiwear Workstation Schematic

