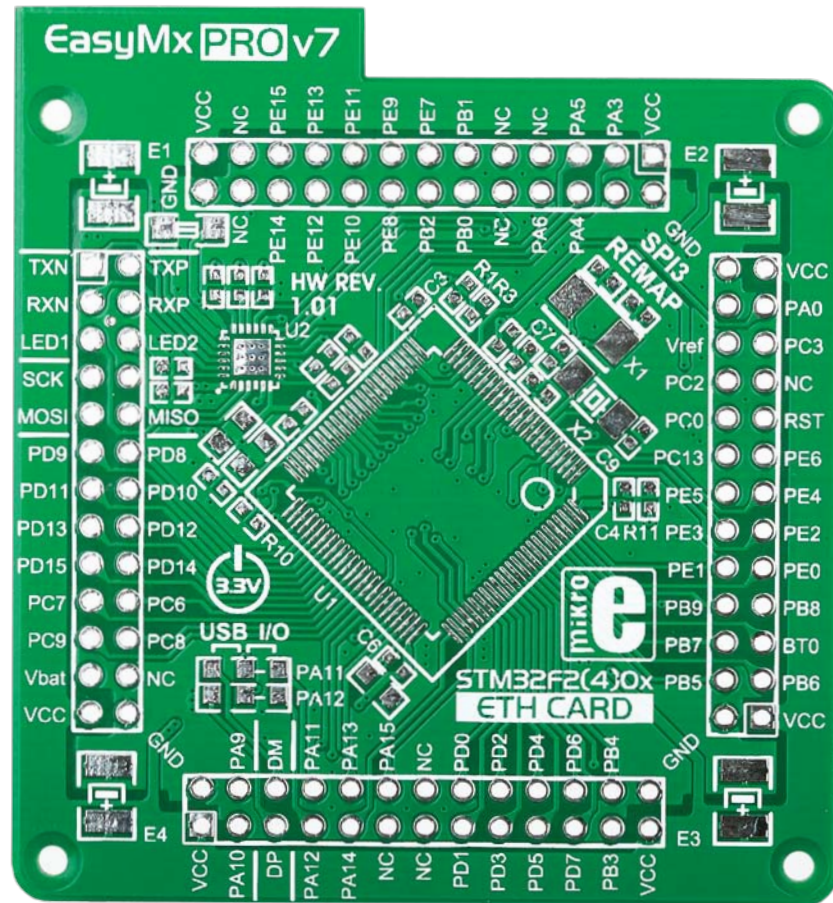


HP Ethernet empty MCU card for 100-pin TQFP STM32F2(4)0x family



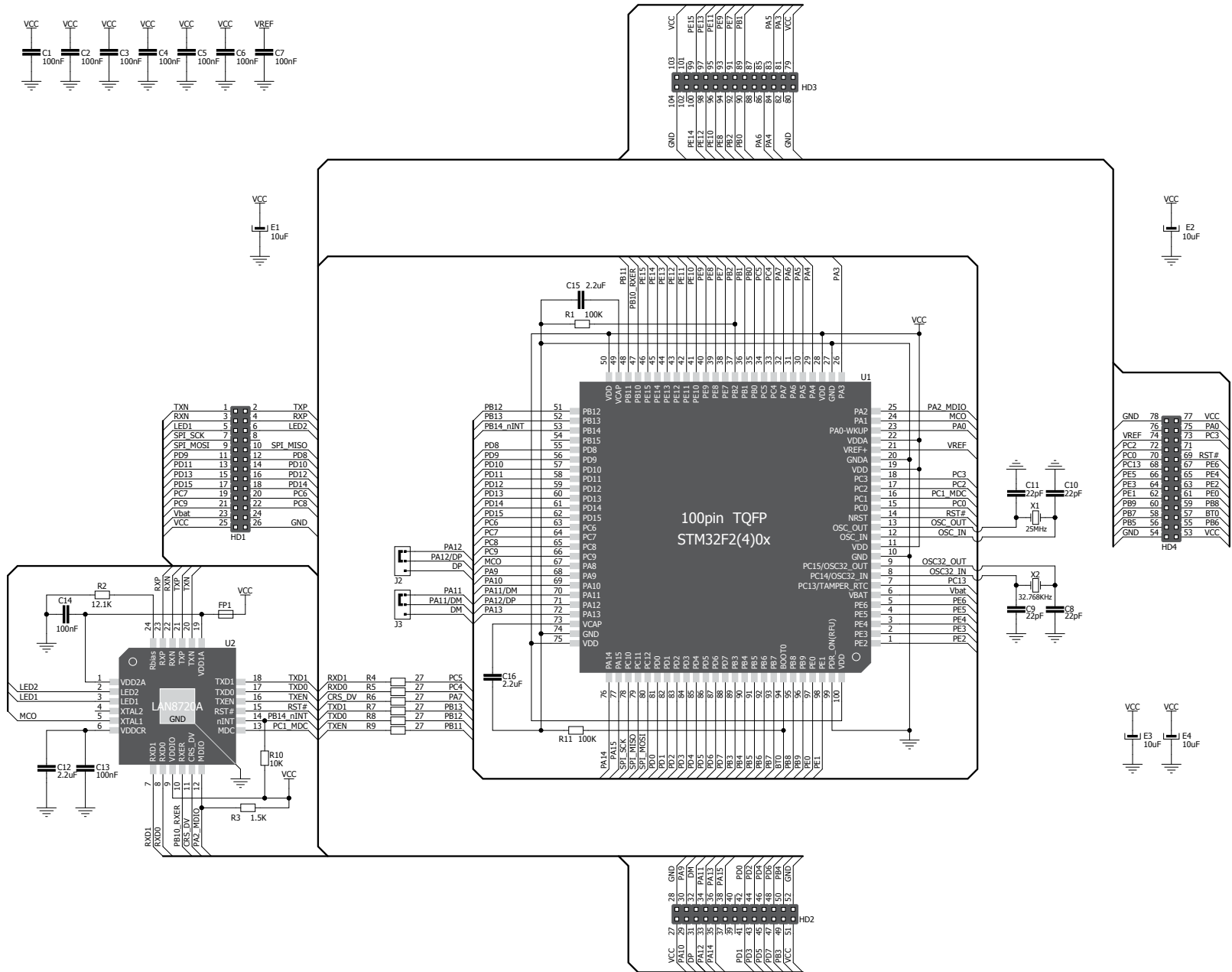


Figure 1: MCU card schematics

Card dimensions

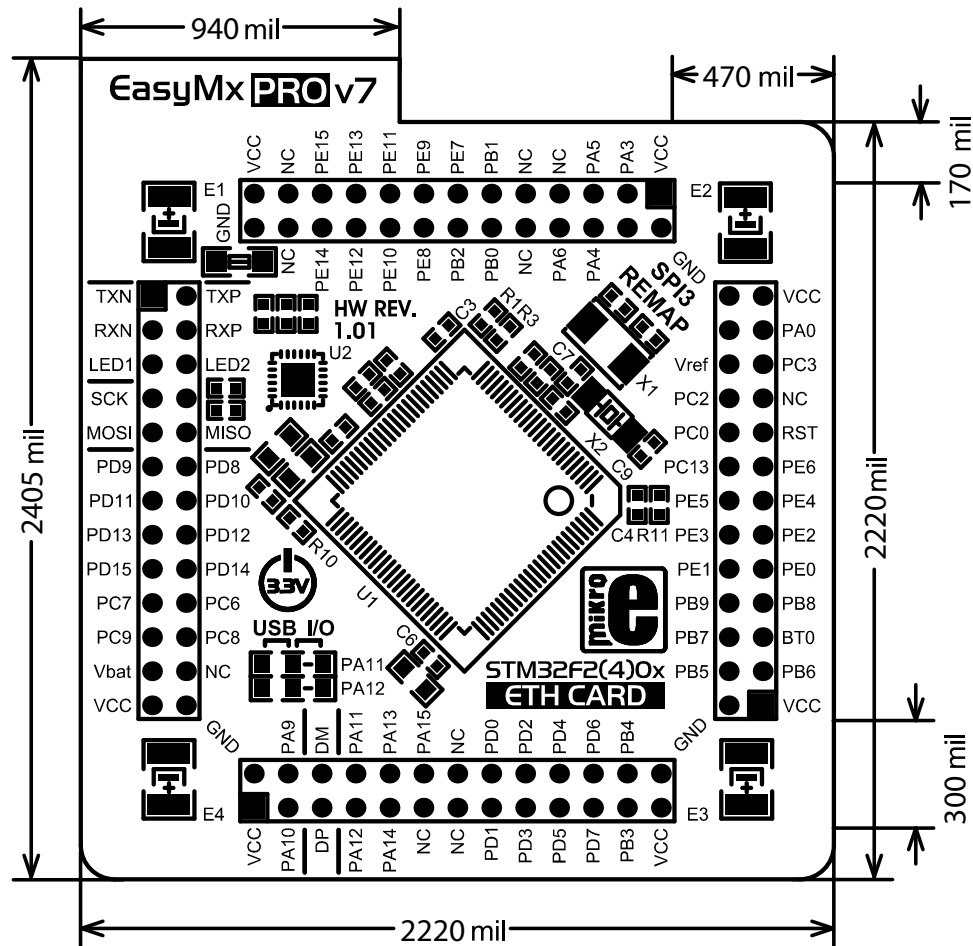
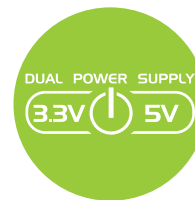
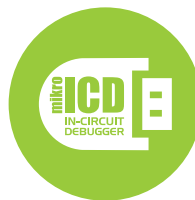


Figure 2: MCU card dimensions. Values are in mils.



If you want to learn more about our products, please visit our web site at www.mikroe.com

If you are experiencing some problems with any of our products or just need additional information, please place your ticket at www.mikroe.com/esupport

If you have any questions, comments or business proposals, do not hesitate to contact us at office@mikroe.com