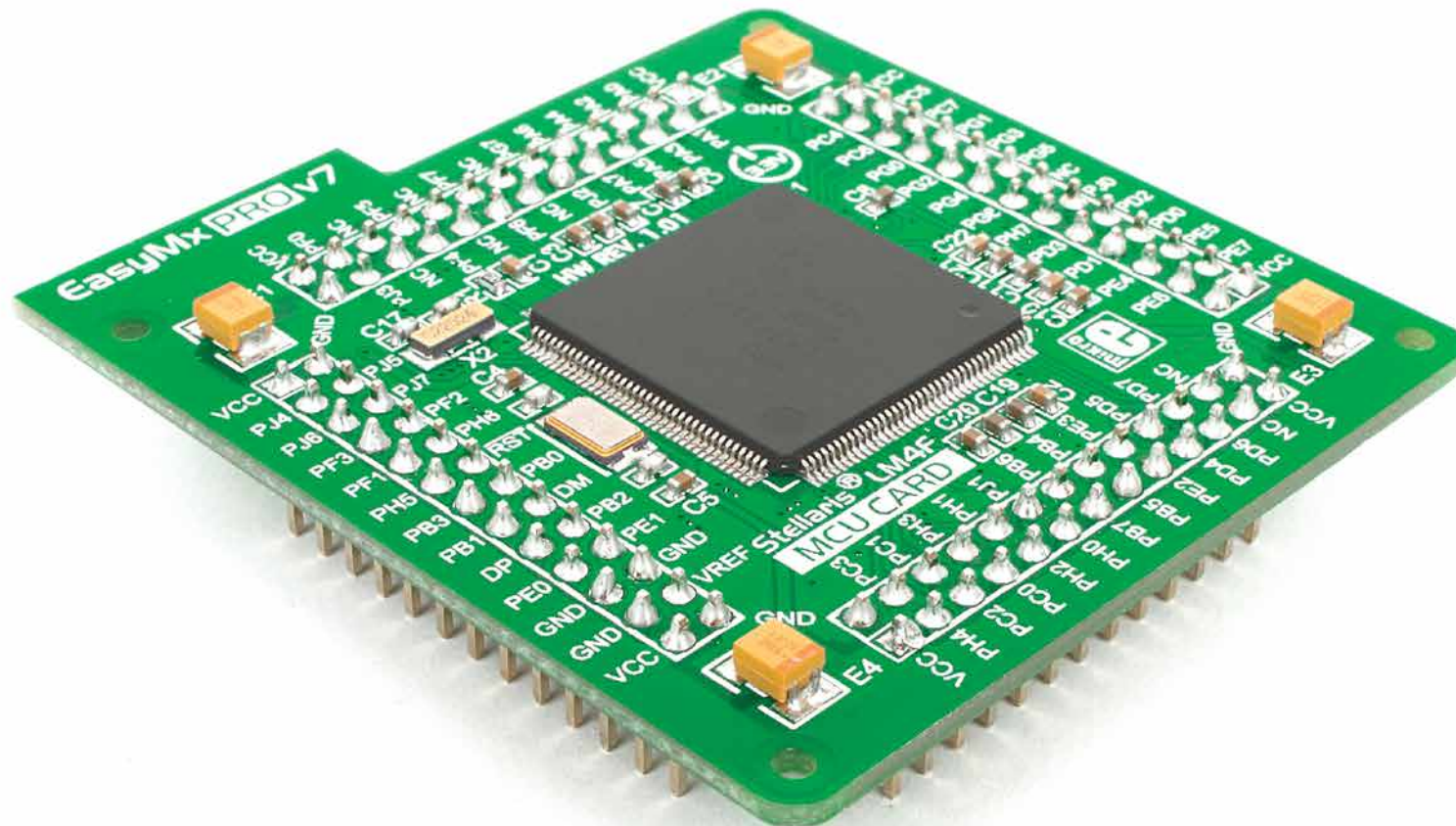


LM4F MCU card with LM4F232H5QD (144-pin TQFP)



Card information

The **LM4F MCU card** is shown on **Figure 1**. It contains **LM4F232H5QD** microcontroller with on-chip peripherals and is a great choice for both beginners and professionals. After testing and building the final program, this card can also be taken out of the board socket and used in your final device.

- 1 **LM4F232H5QD** belongs to ARM® Cortex™-M4 family. It has **80MHz** operation, **256K bytes** of flash memory, **32K bytes** of SRAM memory and **2K bytes** of EEPROM memory. It has **USB** (OTG, Host, Device), up to 105 General purpose **I/O pins**, **16/32-bit timers**, 2 12-bit ADC modules, 8 **UARTs**, internal Real time clock (**RTC**), 6 **I2C**, 4 **SPI** and 2 **CAN** controllers. It also contains 3 **analog comparators** and 16 **digital comparators**. It is preloaded with **StellarisWare®** libraries and bootloader in ROM.
- 2 **8MHz crystal oscillator**. We carefully chose the most convenient crystal value that provides clock frequency which can be used directly, or with the PLL multipliers to create higher MCU clock value.
- 3 MCU card also contains **32.768 kHz crystal oscillator** which provides external clock waveform for RTCC module.

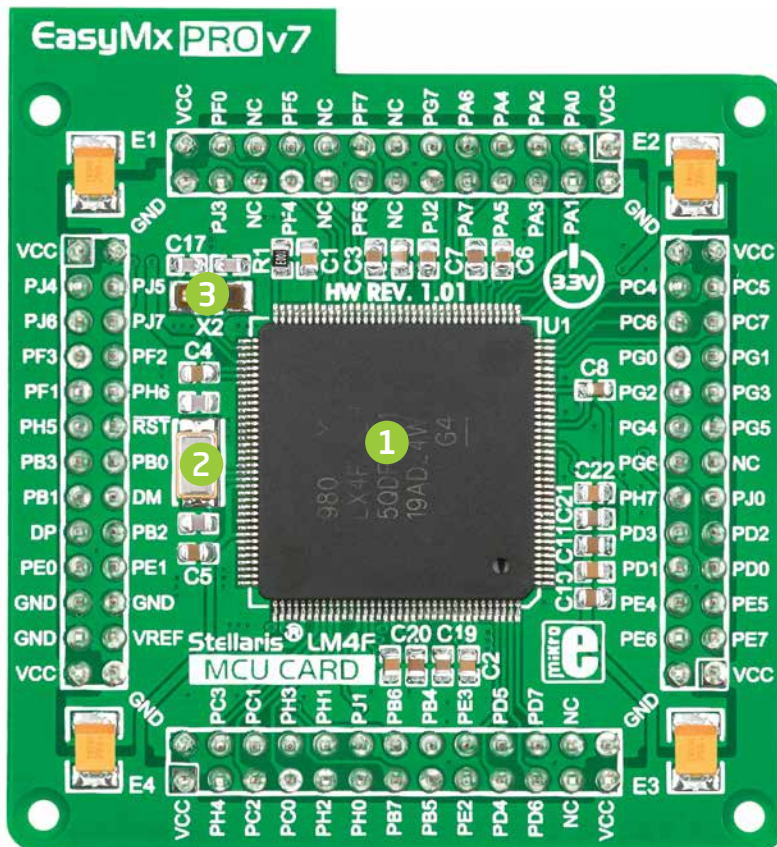


Figure 1: MCU card with LM4F232H5QD

Connections to LM4F232H5QD MCU card

EasyMX PRO v7 for Stellaris® ARM®	MCU card with LX4F232H5QD	Pin function
PB7	PK7	NAVIGATION SWITCH - LEFT, DS1820 DIG. TEMP. SENSOR
PD0	PN0	CAN COMMUNICATION - RX-CAN
PD1	PN1	CAN COMMUNICATION - TX-CAN
PD2	PK4	USB-UART B - RX-FTDI2
PD3	PK5	USB-UART A - TX-FTDI2
PB6	PK6	GPIO - PORT B
TX0N	NOT SUPPORTED	ETHERNET COMMUNICATION - TX_N
TX0P	NOT SUPPORTED	ETHERNET COMMUNICATION - TX_P
TX1N	NOT SUPPORTED	ETHERNET COMMUNICATION - RX_N
TX1P	NOT SUPPORTED	ETHERNET COMMUNICATION - RX_P

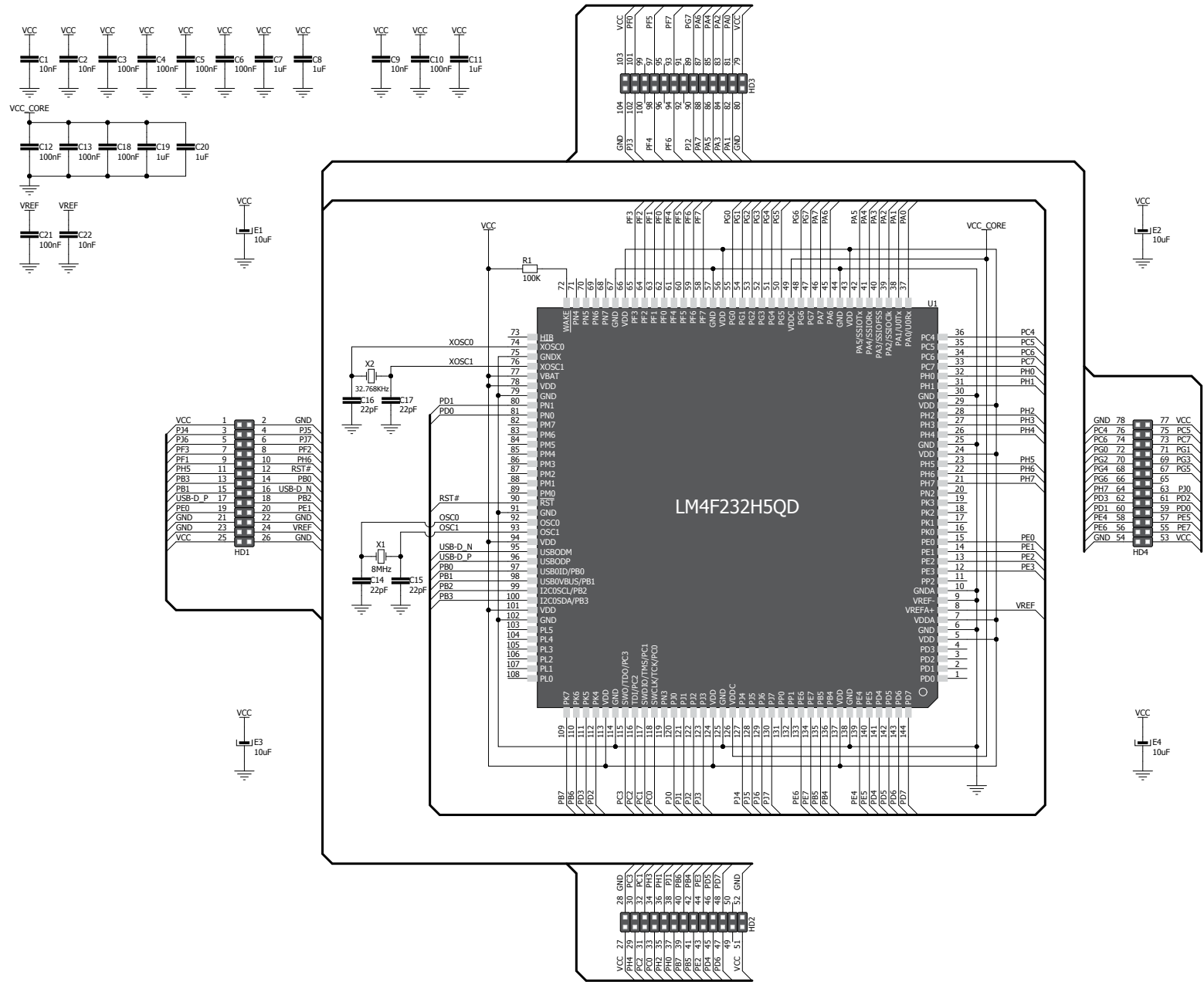


Figure 2: MCU card schematic



If you want to learn more about our products, please visit our website at www.mikroe.com

If you are experiencing some problems with any of our products or just need additional information, please place your ticket at www.mikroe.com/esupport

If you have any questions, comments or business proposals,
do not hesitate to contact us at office@mikroe.com

Stellaris LM4F MCU card Manual
ver. 1.01



0 100000 023587