



# ESP-06 WiFi Module

Version1.0

## **Disclaimer and Copyright Notice.**

Information in this document, including URL references, is subject to change without notice.

THIS DOCUMENT IS PROVIDED AS IS WITH NO WARRANTIES WHATSOEVER, INCLUDING ANY WARRANTY OF MERCHANTABILITY, NON-INFRINGEMENT, FITNESS FOR ANY PARTICULAR PURPOSE, OR ANY WARRANTY OTHERWISE ARISING OUT OF ANY PROPOSAL, SPECIFICATION OR SAMPLE. All liability, including liability for infringement of any proprietary rights, relating to use of information in this document is disclaimed. No licenses express or implied, by estoppel or otherwise, to any intellectual property rights are granted herein. The WiFi Alliance Member Logo is a trademark of the WiFi Alliance.

All trade names, trademarks and registered trademarks mentioned in this document are property of their respective owners, and are hereby acknowledged.

Copyright © 2015 AI-Thinker team. All rights reserved.

## **Notice**

Product version upgrades or other reasons, possible changes in the contents of this manual. AI-Thinker reserves in the absence of any notice or indication of the circumstances the right to modify the content of this manual. This manual is used only as a guide, AI-thinker make every effort to provide accurate information in this manual, but AI-thinker does not ensure that manual content without error, in this manual all statements, information and advice nor does it constitute any express or implied warranty.



# Table Of Contents

|  |    |
|--|----|
| <b>1.Preambles</b> .....                           | 3  |
| <b>1.1. Features</b> .....                         | 4  |
| <b>1.2. Parameters</b> .....                       | 5  |
| <b>2. Pin Descriptions</b> .....                   | 6  |
| <b>3. Packaging and Dimension</b> .....            | 9  |
| <b>4. Functional Descriptions</b> .....            | 10 |
| <b>4.1. MCU</b> .....                              | 10 |
| <b>4.2. Memory Organization</b> .....              | 10 |
| 4.2.1. Internal SRAM and ROM.....                  | 10 |
| 4.2.2. External SPI Flash.....                     | 11 |
| <b>4.3. Crystal</b> .....                          | 11 |
| <b>4.4. Interfaces</b> .....                       | 11 |
| <b>4.5. Absolute Maximum Ratings</b> .....         | 13 |
| <b>4.6. Recommended Operating Conditions</b> ..... | 13 |
| <b>4.7. Digital Terminal Characteristics</b> ..... | 14 |
| <b>5. RF Performance</b> .....                     | 14 |
| <b>6. Power Consumption</b> .....                  | 15 |
| <b>7. Reflow Profile</b> .....                     | 16 |
| <b>8.Schematics</b> .....                          | 17 |

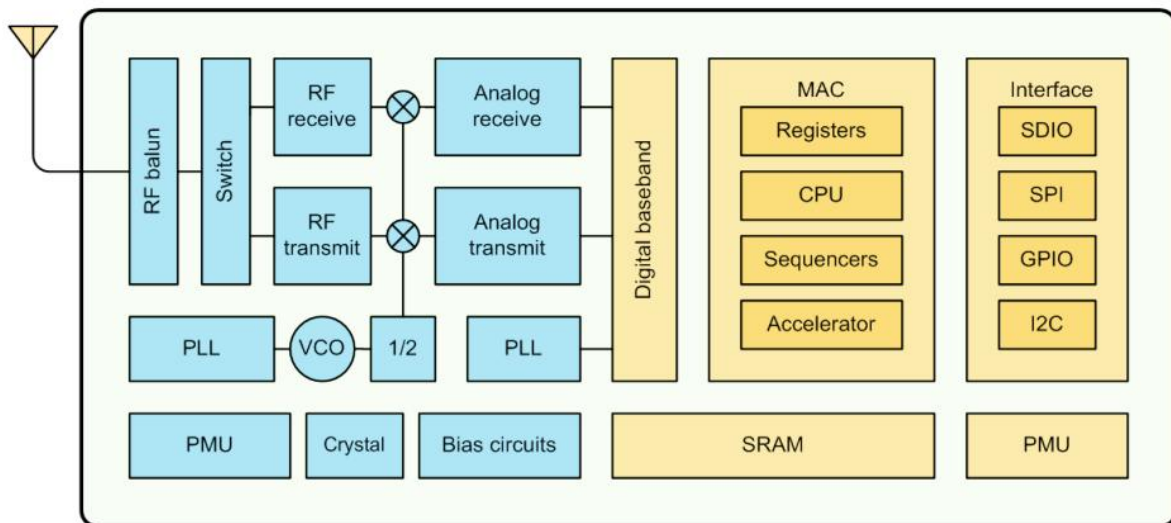


## 1. Preambles

ESP-06 WiFi module is developed by Ai-thinker Team. core processor ESP8266 in smaller sizes of the module encapsulates Tensilica L106 integrates industry-leading ultra low power 32-bit MCU micro, with the 16-bit short mode, Clock speed support 80 MHz, 160 MHz, supports the RTOS, integrated Wi-Fi MAC/BB/RF/PA/LNA, on-board antenna.

The module supports standard IEEE802.11 b/g/n agreement, complete TCP/IP protocol stack. Users can use the add modules to an existing device networking, or building a separate network controller.

ESP8266 is high integration wireless SOCs, designed for space and power constrained mobile platform designers. It provides unsurpassed ability to embed Wi-Fi capabilities within other systems, or to function as a standalone application, with the lowest cost, and minimal space requirement.



**Figure 1 ESP8266EX Block Diagram**

ESP8266EX offers a complete and self-contained Wi-Fi networking solution; it can be used to host the application or to offload Wi-Fi networking functions from another application processor.

When ESP8266EX hosts the application, it boots up directly from an external flash. It has integrated cache to improve the performance of the system in such applications.

Alternately, serving as a Wi-Fi adapter, wireless internet access can be added to any micro controller-based design with simple connectivity (SPI/SDIO or I2C/UART interface).

ESP8266EX is among the most integrated WiFi chip in the industry; it integrates the antenna switches, RF balun, power amplifier, low noise receive amplifier, filters, power management modules, it requires minimal external circuitry, and the entire solution, including front-end module, is designed to occupy minimal PCB area.

ESP8266EX also integrates an enhanced version of Tensilica's L106 Diamond series 32-bit processor, with on-chip SRAM, besides the Wi-Fi functionalities. ESP8266EX is often integrated with external sensors and other application specific devices through its GPIOs; codes for such applications are provided in examples in the SDK.



ESP8266EX demonstrates sophisticated system-level features include fast sleep/wake context switching for energy-efficient VoIP, adaptive radio biasing. for low-power operation, advance signal processing, and spur cancellation and radio co-existence features for common cellular, Bluetooth, DDR, LVDS, LCD interference mitigation.

## 1.1. Features

- 802.11 b/g/n
- Integrated low power 32-bit MCU
- Integrated 10-bit ADC
- Integrated TCP/IP protocol stack
- Integrated TR switch, balun, LNA, power amplifier and matching network
- Integrated PLL, regulators, and power management units
- Supports antenna diversity
- Wi-Fi 2.4 GHz, support WPA/WPA2
- Support STA/AP/STA+AP operation modes
- Support Smart Link Function for both Android and iOS devices
- SDIO 2.0, (H) SPI, UART, I2C, I2S, IRDA, PWM, GPIO
- STBC, 1x1 MIMO, 2x1 MIMO
- A-MPDU & A-MSDU aggregation and 0.4s guard interval
- Deep sleep power <10uA, Power down leakage current < 5uA
- Wake up and transmit packets in < 2ms
- Standby power consumption of < 1.0mW (DTIM3)
- +20dBm output power in 802.11b mode



- Operating temperature range -40C ~ 125C

## 1.2. Parameters

Table 1 below describes the major parameters.

Table 1 Parameters

| Categories          | Items                       | Values   |
|---------------------|-----------------------------|--|
| WiFi Paramters      | WiFi Protocles              | 802.11 b/g/n   |
|                     | Frequency Range             | 2.4GHz-2.5GHz (2400M-2483.5M)  |
| Hardware Paramaters | Peripheral Bus              | UART/HSPI/I2C/I2S/Ir Remote Contorl                                      |
|                     |                             | GPIO/PWM   |
|                     | Operating Voltage           | 3.0~3.6V   |
|                     | Operating Current           | Average value: 80mA  |
|                     | Operating Temperature Range | -40°~125°  |
|                     | Ambient Temperature Range   | Normal temperature   |
|                     | Package Size                | 18mm*20mm*3mm  |
|                     | External Interface          | N/A  |
| Software Paramaters | Wi-Fi mode                  | station/softAP/SoftAP+station  |
|                     | Security                    | WPA/WPA2   |
|                     | Encryption                  | WEP/TKIP/AES   |
|                     | Firmware Upgrade            | UART Download / OTA (via network) / download and write firmware via host |
|                     | Ssoftware Development       | Supports Cloud Server Development / SDK for custom firmware development  |
|                     | Network Protocols           | IPv4, TCP/UDP/HTTP/FTP   |
|                     | User Configuration          | AT Instruction Set, Cloud Server, Android/iOS APP                        |



## 2. Pin Descriptions

There are altogether 20 pin counts, the definitions of which are described in Table 2 below.

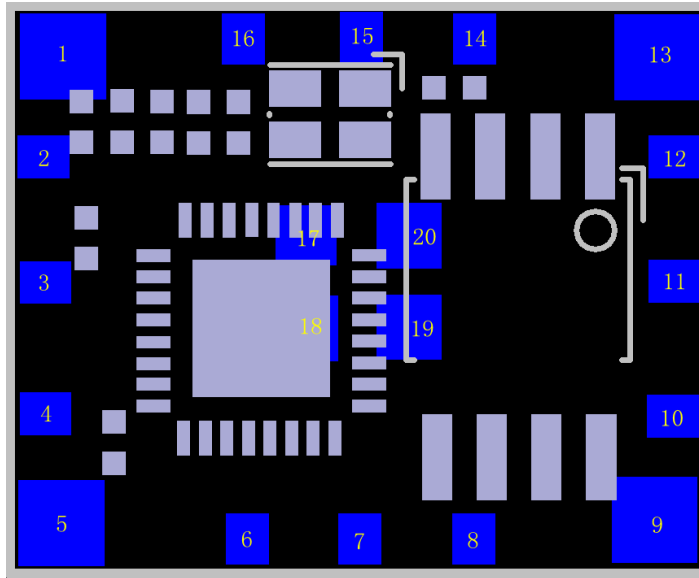


Table 2 Pin Design

Table 3 Pin Descriptions

| NO | Pin Name | Function  |
|----|----------|---|
| 1  | GND      | GND   |
| 2  | WIFI_ANT | WIFI Antenna  |
| 3  | VCC      | 3.3V power supply (VDD)   |
| 4  | CH_PD    | 1)high level work<br>2) low leave power off                     |
| 5  | GPIO16   | GPIO16; can be used to wake up the chipset from deep sleep mode |
| 6  | GPIO14   | GPIO14; HSPI_CLK  |



|    |        |  |
|----|--------|--|
| 7  | GPIO12 | GPIO12;HSPI_MISO   |
| 8  | GPIO13 | GPIO13;HSPI_MOSI;UART0_CTS   |
| 9  | GPIO15 | Pull-down: working mode  |
| 10 | GPIO4  | GPIO4  |
| 11 | GPIO2  | 1)Power must be high level, No pulling down hardware<br>2) Internal default is pulling up.                     |
| 12 | GPIO0  | 1) working mode selection<br>2) Vacancy: Flash Boot, working mode<br>3) Dropdown: UART DownLoad, download mode |
| 13 | GPIO5  | GPIO5  |
| 14 | RXD    | 1 ) UART_RXD , receive ;<br><br>2 ) General Purpose Input/ Output : GPIO3 ;                                    |
| 15 | TXD    | 1)UART_TXD, transmit<br><br>2)General Purpose Input/Output : GPIO1<br><br>3)when boot,No pulling down          |
| 16 | RST    | Reset module   |
| 17 | GND    | GND  |
| 18 | GND    | GND  |
| 19 | GND    | GND  |
| 20 | GND    | GND  |



**Table 4 Pin Mode**

| Mode       | GPIO15 | GPIO0 | GPIO2 |
|------------|--------|-------|-------|
| UART       | low    | low   | high  |
| Flash Boot | low    | high  | high  |

**Table 5 Receiver Sensitivity**

| Parameters                      | Min  | Typical | Max  | Unit     |
|---------------------------------|------|---------|------|----------|
| Input frequency                 | 2412 |         | 2484 | MHz      |
| Input impedance                 |      | 50      |      | $\Omega$ |
| Input reflection                |      |         | -10  | dB       |
| Output power of PA for 72.2Mbps | 14   | 15      | 16   | dBm      |
| Output power of PA for 11b mode | 17.5 | 18.5    | 19.5 | dBm      |
| Sensitivity                     |      |         |      |          |
| DSSS, 1 Mbps                    |      | -98     |      | dBm      |
| CCK, 11 Mbps                    |      | -91     |      | dBm      |
| 6 Mbps (1/2 BPSK)               |      | -93     |      | dBm      |
| 54 Mbps (3/4 64-QAM)            |      | -75     |      | dBm      |
| HT20, MCS7 (65 Mbps, 72.2 Mbps) |      | -72     |      | dBm      |
| Adjacent Channel Rejection      |      |         |      |          |





|               |  |    |  |    |
|---------------|--|----|--|----|
| OFDM, 6 Mbps  |  | 37 |  | dB |
| OFDM, 54 Mbps |  | 21 |  | dB |
| HT20, MCS0    |  | 37 |  | dB |
| HT20, MCS7    |  | 20 |  | dB |

### 3. Packaging and Dimension

The external size of the module is 16.2mm\*13.2mm\*3mm, as is illustrated in Figure 3 below. The type of flash integrated in this module is an SPI flash, the capacity of which is 1 MB, and the package size of which is SOP-210mil.



Figure 2 [Module Pin Counts, 20 pin, 16.2mm x 13.2mm x 3.0 mm]



Figure 3 Top View of ESP-06 WiFi Module

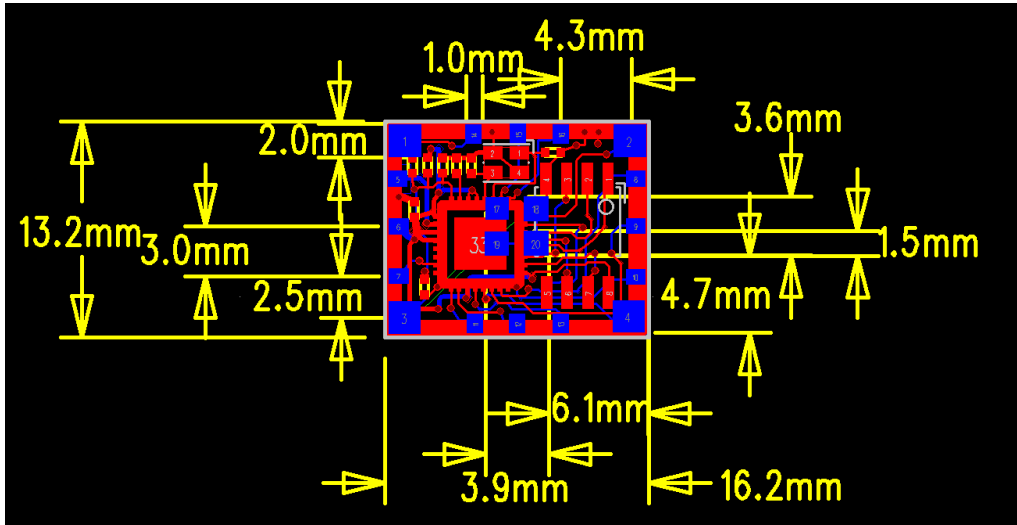


Table 6 Dimension of ESP-06 WiFi Module

| Length | Width  | Height | PAD Size(Bottom) | Pin Pitch |
|--------|--------|--------|------------------|-----------|
| 16.2mm | 13.2mm | 3 mm   | 0.9 mm x 1.7 mm  | 2.5mm     |

## 4. Functional Descriptions

### 4.1. MCU

ESP8266EX is embedded with Tensilica L106 32-bit micro controller (MCU), which features extra low power consumption and 16-bit RSIC. The CPU clock speed is 80MHz. It can also reach a maximum value of 160MHz. ESP8266EX is often integrated with external sensors and other specific devices through its GPIOs; codes for such applications are provided in examples in the SDK.

### 4.2. Memory Organization

#### 4.2.1. Internal SRAM and ROM

ESP8266EX WiFi SoC is embedded with memory controller, including SRAM and ROM. MCU can visit the memory units through iBus, dBus, and AHB interfaces. All memory units can be visited upon request, while a memory arbiter will decide the running sequence according to the time when these requests are received by the processor.



According to our current version of SDK provided, SRAM space that is available to users is assigned as below:

- RAM size < 36kB, that is to say, when ESP8266EX is working under the station mode and is connected to the router, programmable space accessible to user in heap and data section is around 36kB.)
- There is no programmable ROM in the SoC, therefore, user program must be stored in an external SPI flash.

### 4.2.2. External SPI Flash

This module is mounted with an 1 MB external SPI flash to store user programs. If larger definable storage space is required, a SPI flash with larger memory size is preferred. Theoretically speaking, up to 16 MB memory capacity can be supported.

#### **Suggested SPI Flash memory capacity:**

- OTA is disabled: the minimum flash memory that can be supported is 512 kB;
- OTA is enabled: the minimum flash memory that can be supported is 1 MB.

Several SPI modes can be supported, including Standard SPI, Dual SPI, and Quad SPI.

Therefore, please choose the correct SPI mode when you are downloading into the flash, otherwise firmwares/programs that you downloaded may not work in the right way.

## 4.3. Crystal

Currently, the frequency of crystal oscillators supported include 40MHz, 26MHz and 24MHz. The accuracy of crystal oscillators applied should be  $\pm 10\text{PPM}$ , and the operating temperature range should be between  $-20^{\circ}\text{C}$  and  $85^{\circ}\text{C}$ .

When using the downloading tools, please remember to select the right crystal oscillator type. In circuit design, capacitors C1 and C2, which are connected to the earth, are added to the input and output terminals of the crystal oscillator respectively. The values of the two capacitors can be flexible, ranging from 6pF to 22pF, however, the specific capacitive values of C1 and C2 depend on further testing and adjustment on the overall performance of the whole circuit. Normally, the capacitive values of C1 and C2 are within 10pF if the crystal oscillator frequency is 26MHz, while the values of C1 and C2 are  $10\text{pF} < \text{C1}, \text{C2} < 22\text{pF}$  if the crystal oscillator frequency is 40MHz.

## 4.4. Interfaces

**Table 7 Descriptions of Interfaces**

| Interface | Pin Name | Description |
|-----------|----------|-------------|
|-----------|----------|-------------|



|                   |   |   |
|-------------------|---|---|
| HSPI              | IO12(MISO),<br>IO13(MOSI)<br>IO14(CLK),<br>IO15(CS)                                       | SPI Flash , display screen, and MCU can be connected using HSPI interface   |
| PWM               | IO12(R),<br>IO15(G),<br>IO13(B)   | Currently the PWM interface has four channels, but users can extend the channels according to their own needs. PWM interface can be used to control LED lights, buzzers, relays, electronic machines, and so on.  |
| IR Remote Control | IO14(IR_T),<br>IO5(IR_R)  | The functionality of Infrared remote control interface can be implemented via software programming. NEC coding, modulation, and demodulation are used by this interface. The frequency of modulated carrier signal is 38KHz.  |
| ADC               | TOUT  | ESP8266EX integrates a 10-bit analog ADC. It can be used to test the power supply voltage of VDD3P3 (Pin3 and Pin4) and the input power voltage of TOUT (Pin 6). However, these two functions cannot be used simultaneously. This interface is typically used in sensor products.   |
| I2C               | IO14(SCL),<br>IO2(SDA)  | I2C interface can be used to connect external sensor products and display screens, etc.   |
| UART              | UART0:<br>TXD(U0TXD),<br>RXD(U0RXD),<br>IO15(RTS),<br>IO13(CTS)<br><br>UART1:<br>IO2(TXD) | <p>Devices with UART interfaces can be connected with the module.<br/>           Downloading: U0TXD+U0RXD or GPIO2+U0RXD<br/>           Communicating: UART0: U0TXD, U0RXD, MTDO (U0RTS), MTCK (U0CTS)<br/>           Debugging: UART1_TXD (GPIO2) can be used to print debugging information.</p> <p>By default, UART0 will output some printed information when the device is powered on and is booting up. If this issue exerts influence on some specific applications, users can exchange the inner pins of UART when initializing, that is to say, exchange U0TXD, U0RXD with U0RTS, U0CTS.</p> |



|     |   |  |
|-----|---|--|
| I2S | I2S Input :<br>IO12 (I2SI_DATA) ;<br>IO13 (I2SI_BCK);<br>IO14 (I2SI_WS);  | I2S interface is mainly used for collecting, processing, and transmission of audio data. |
|     | I2S Output: :<br>IO15 (I2SO_BCK );<br>IO3 (I2SO_DATA);<br>IO2 (I2SO_WS ). |  |

## 4.5. Absolute Maximum Ratings

**Table 8 Absolute Maximum Ratings**

| Rating                        | Condition           | Value        | Unit |
|-------------------------------|---------------------|--------------|------|
| Storage Temperature           |                     | -40 to 125   | °C   |
| Maximum Soldering Temperature |                     | 260          | °C   |
| Supply Voltage                | IPC/JEDEC J-STD-020 | +3.0 to +3.6 | V    |

## 4.6. Recommended Operating Conditions

**Table 9 Recommended Operating Conditions**

| Operating Condition | Symbol | Min | Typ | Max | Unit |
|---------------------|--------|-----|-----|-----|------|
|---------------------|--------|-----|-----|-----|------|



|                       |     |     |     |     |    |
|-----------------------|-----|-----|-----|-----|----|
| Operating Temperature |     | -40 | 20  | 125 | °C |
| Supply voltage        | VDD | 3.0 | 3.3 | 3.6 | V  |

## 4.7. Digital Terminal Characteristics

**Table 10 Digital Terminal Characteristics**

| Terminals               | Symbol | Min     | Typ | Max     | Unit |
|-------------------------|--------|---------|-----|---------|------|
| Input logic level low   | VIL    | -0.3    |     | 0.25VDD | V    |
| Input logic level high  | VIH    | 0.75VDD |     | VDD+0.3 | V    |
| Output logic level low  | VOL    | N       |     | 0.1VDD  | V    |
| Output logic level high | VOH    | 0.8VDD  |     | N       | V    |

Note: Test conditions: VDD = 3.3V, Temperature = 20 °C, if nothing special is stated.

## 5. RF Performance

**Table 10 RF Performance**

| Description                     | Min  | Typ. | Max    | Unit |
|---------------------------------|------|------|--------|------|
| Input frequency                 | 2400 |      | 2483.5 | MHz  |
| Input impedance                 |      | 50   |        | ohm  |
| Input impedance                 |      |      | -10    | dB   |
| Output power of PA for 72.2Mbps | 15.5 | 16.5 | 17.5   | dBm  |
| Output power of PA for 11b mode | 19.5 | 20.5 | 21.5   | dBm  |
| <b>Sensitivity</b>              |      |      |        |      |



|                                   |  |     |  |     |
|-----------------------------------|--|-----|--|-----|
| CCK, 1 Mbps                       |  | -98 |  | dBm |
| CCK, 11 Mbps                      |  | -91 |  | dBm |
| 6 Mbps (1/2 BPSK)                 |  | -93 |  | dBm |
| 54 Mbps (3/4 64-QAM)              |  | -75 |  | dBm |
| HT20, MCS7 (65 Mbps, 72.2 Mbps)   |  | -72 |  | dBm |
| <b>Adjacent Channel Rejection</b> |  |     |  |     |
| OFDM, 6 Mbps                      |  | 37  |  | dB  |
| OFDM, 54 Mbps                     |  | 21  |  | dB  |
| HT20, MCS0                        |  | 37  |  | dB  |
| HT20, MCS7                        |  | 20  |  | dB  |

## 6. Power Consumption

**Table 11 Power Consumption**

| Parameters                          | Min | Typical | Max | Unit |
|-------------------------------------|-----|---------|-----|------|
| Tx802.11b, CCK 11Mbps, P OUT=+17dBm |     | 170     |     | mA   |



|   |  |     |  |    |
|---|--|-----|--|----|
| Tx 802.11g, OFDM 54Mbps, P OUT =+15dBm        |  | 140 |  | mA |
| Tx 802.11n, MCS7, P OUT =+13dBm               |  | 120 |  | mA |
| Rx 802.11b, 1024 bytes packet length , -80dBm |  | 50  |  | mA |
| Rx 802.11g, 1024 bytes packet length, -70dBm  |  | 56  |  | mA |
| Rx 802.11n, 1024 bytes packet length, -65dBm  |  | 56  |  | mA |
| Modem-Sleep①                                  |  | 15  |  | mA |
| Light-Sleep②                                  |  | 0.9 |  | mA |
| Deep-Sleep③                                   |  | 10  |  | uA |
| Power Off                                     |  | 0.5 |  | uA |

① Modem-Sleep requires the CPU to be working, as in PWM or I2S applications. According to 802.11 standards (like U-APSD), it saves power to shut down the Wi-Fi Modem circuit while maintaining a Wi-Fi connection with no data transmission. E.g. in DTIM3, to maintain a sleep 300ms-wake 3ms cycle to receive AP's Beacon packages, the current is about 15mA.

② During Light-Sleep, the CPU may be suspended in applications like Wi-Fi switch. Without data transmission, the Wi-Fi Modem circuit can be turned off and CPU suspended to save power according to the 802.11 standard (U-APSD). E.g. in DTIM3, to maintain a sleep 300ms-wake 3ms cycle to receive AP's Beacon packages, the current is about 0.9mA.

③ Deep-Sleep does not require Wi-Fi connection to be maintained. For application with long time lags between data transmission, e.g. a temperature sensor that checks the temperature every 100s ,sleep 300s and waking up to connect to the AP (taking about 0.3~1s), the overall average current is less than 1mA.

## 7. Reflow Profile

**Table 12 Instructions**

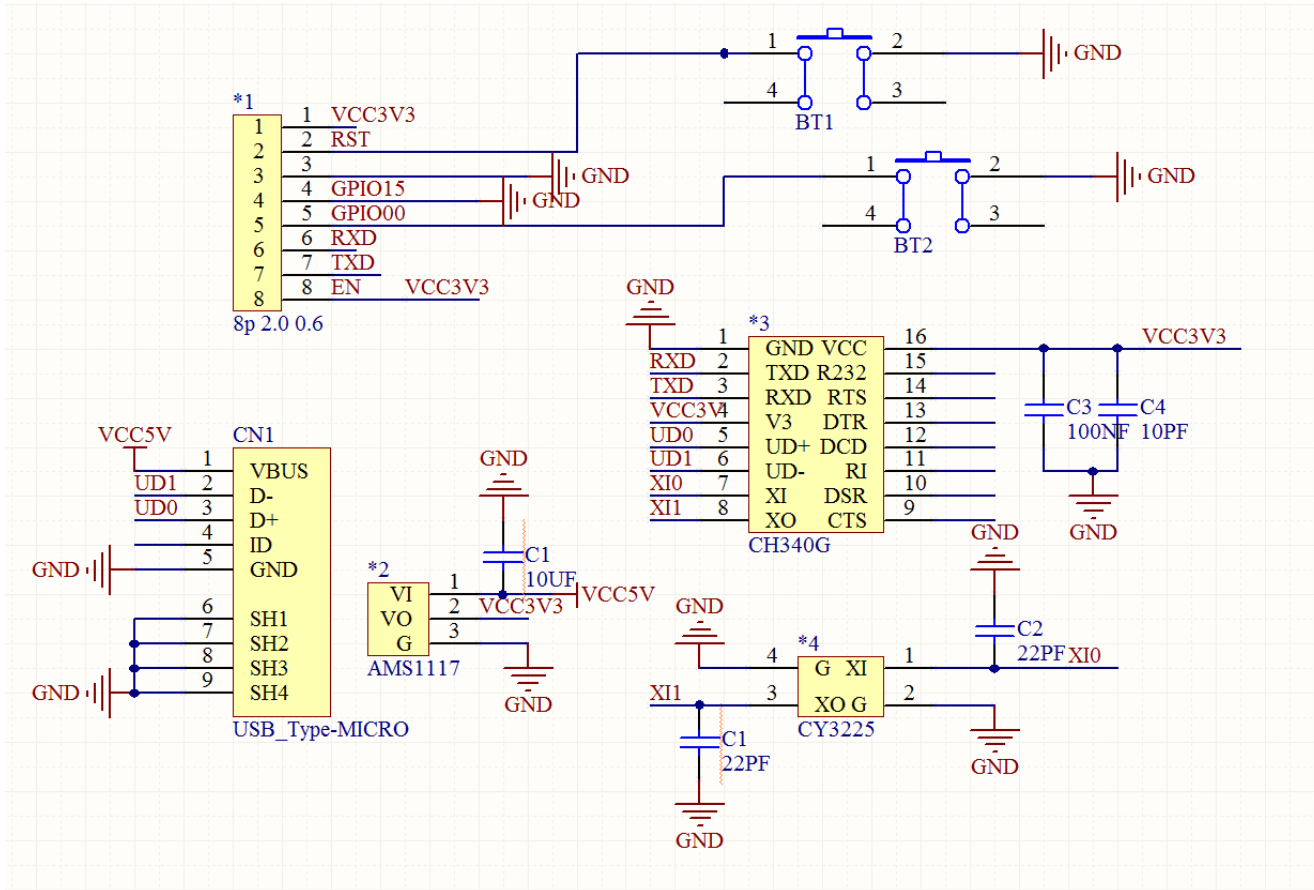
|                             |                 |
|-----------------------------|-----------------|
| TS max to TL (Ramp-up Rate) | 3 °C/second max |
|-----------------------------|-----------------|





|   |   |
|---|---|
| Preheat<br>Temperature Min.(TS Min.)<br>Temperature Typical.(TSTyp.)<br>Temperature Min.(TS Max.)<br>Time(TS) | 150°C<br><br>175°C<br><br>200°C<br><br>60~180 seconds |
| Ramp-up rate (TL to TP)   | 3 °C/second max                                       |
| Time Maintained Above:<br>--Temperature(TL)/Time(TL)  | 217 °C/60~150 seconds                                 |
| Peak Temperature(TP)  | 260 °C max. for 10 seconds                            |
| Target Peak Temperature (TP Target)   | 260°C+0/-5°C  |
| Time within 5 °C of actual peak(tP)   | 20~40 seconds   |
| TS max to TL (Ramp-down Rate)   | 6 °C/second max                                       |
| Tune 25 °C to Peak Temperature (t)  | 8 minutes max   |

## 8. Schematics



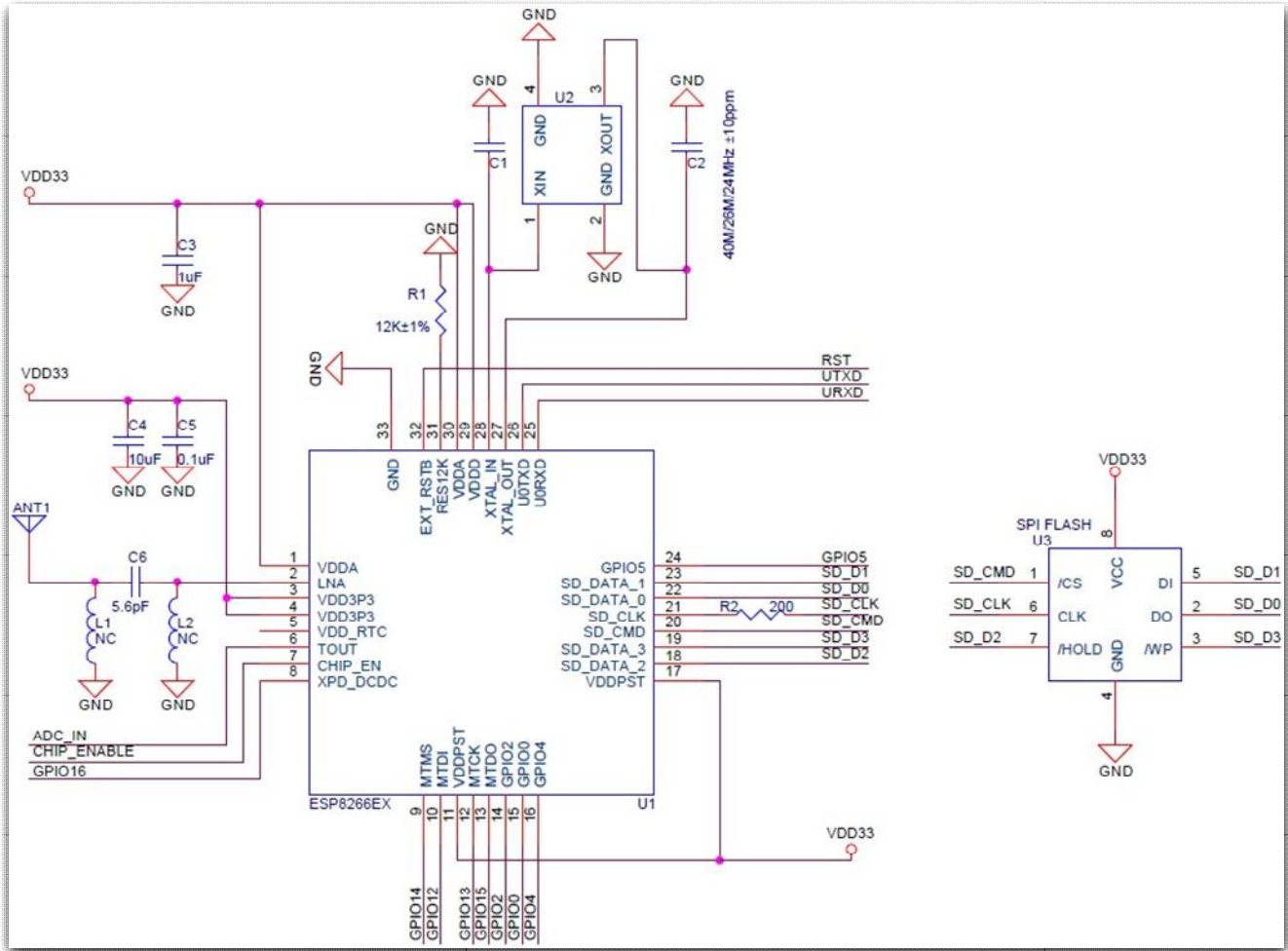


Figure 4 Schematics of ESP-06 WiFi Module