

TPS PRESSURE SENSOR // PN 20032002-00

TPS-500PG-CA1N-00-T

PN 20032002-00 (TPS-500PG-CA1N-00-T) is a digital low pressure MEMS sensor offering state-of-the-art pressure transducer technology and CMOS mixed signal processing technology to produce a digital fully output, multi-order pressure and temperature compensated. The complete datasheet (ENG_DS_TPS_Ultra_Low_Pressure_Datasheet_A.pdf) is available on TE website.



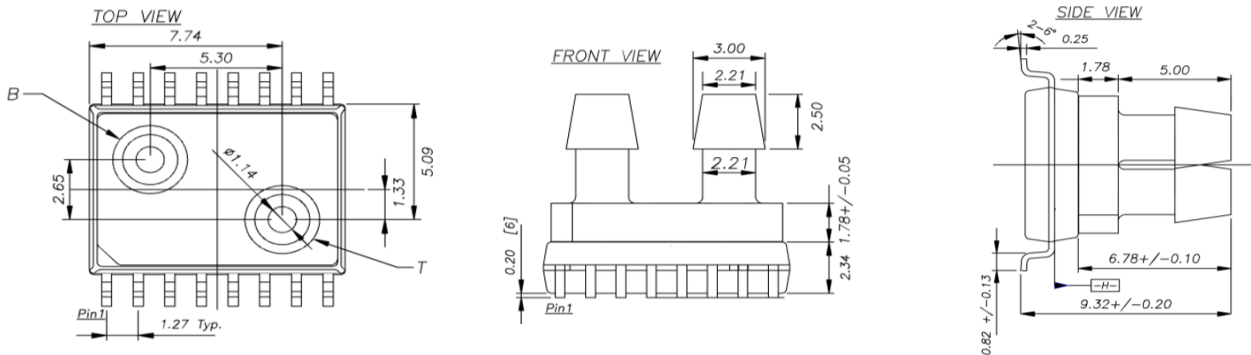
PARAMETRICS TABLE

No.	Characteristic	Symbol	Minimum	Typical	Maximum	Units
1	Supply Voltage	VDD		3.3		V
2	Pressure @DOUTmin [1'677'721]	P _{MIN}		0		Pa
3	Pressure @DOUTmax [15'099'485]	P _{MAX}		+500		Pa
4	Compensated Temperature Range	T _{COMP}	-20		+85	°C
5	Accuracy after Auto zero	DACC	-1		+1	%FS

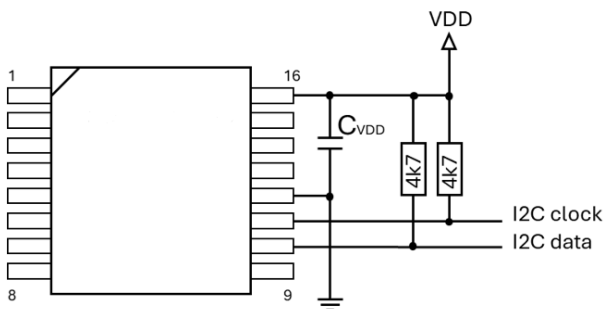
NVM INFORMATION

No.	Characteristic	Value
1	I2C address	0x74
2	OSR	4
3	Ratio P/T1	1
4	Analog mode / Delay	OFF
5	IIR Filter	OFF
6	FIFO mode	OFF

DIMENSIONS



APPLICATIONS CIRCUIT



PINOUT

Pin No.	Pin Function	Pin No.	Pin Function
1	AOUT	9	-
2	-	10	SDA
3	-	11	SCL
4	-	12	VSS
5	-	13	I.C. (VDD)
6	-	14	-
7	SDO	15	-
8	-	16	VDD

TE Connectivity, TE, TE Connectivity (logo) and Every Connection Counts are trademarks. All other logos, products and/or company names referred to herein might be trademarks of their respective owners