

RFID Reader Internal Antenna Specification

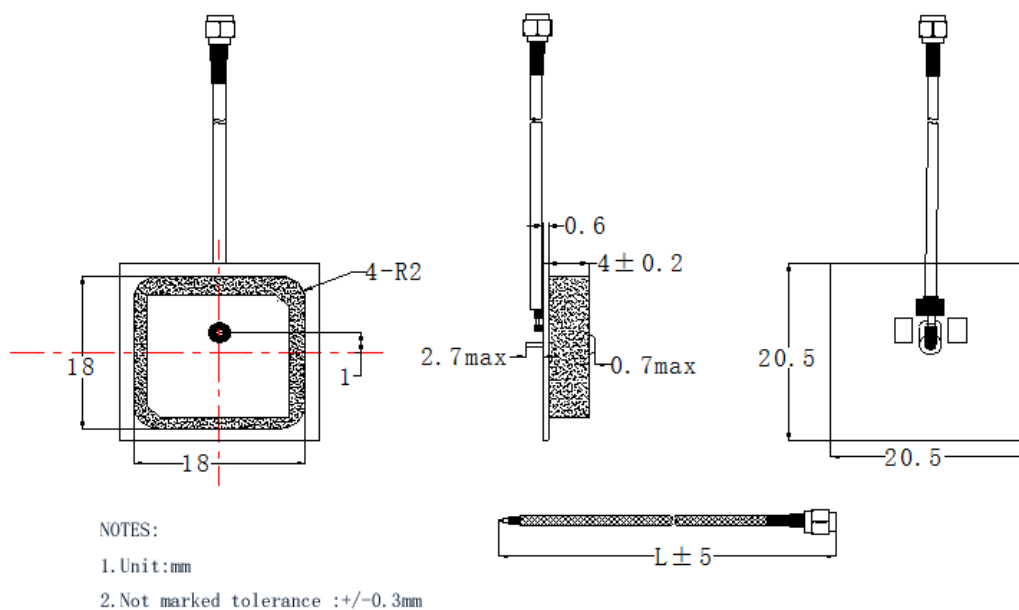
Model: DLRFID-R-I18

Antenna	
Size	18*18*4mm
Frequency Range	840-960MHz
Center Frequency	868±1.5MHz
V.S.W.R.	1.5:1
Band Width	> 2MHz
Impedence	50 ohm
Gain	-8dBic (Without Cable) Based on 20mm×20mm ground plane
Polarization	RHCP
Material	
Antenna	Dielectric Ceramics
PCB	FR4
Shielding	Tinplate



RF Cable	$\Phi 1.13\text{mm} \pm 0.1\text{mm}$
RF Connector	IPEX/SMA etc.
Testing Conditions	
Working Temp	-40°C~+85°C
Storage Temp	-45°C~+85°C
Vibration	Sine sweep 1g(0-p)
	10~55~10Hz each axis

Size drawing



L=length

Test

1. Test Items:

Antenna GAIN、Efficiency 、Radiation Pattern

2. Test Instrumentation:

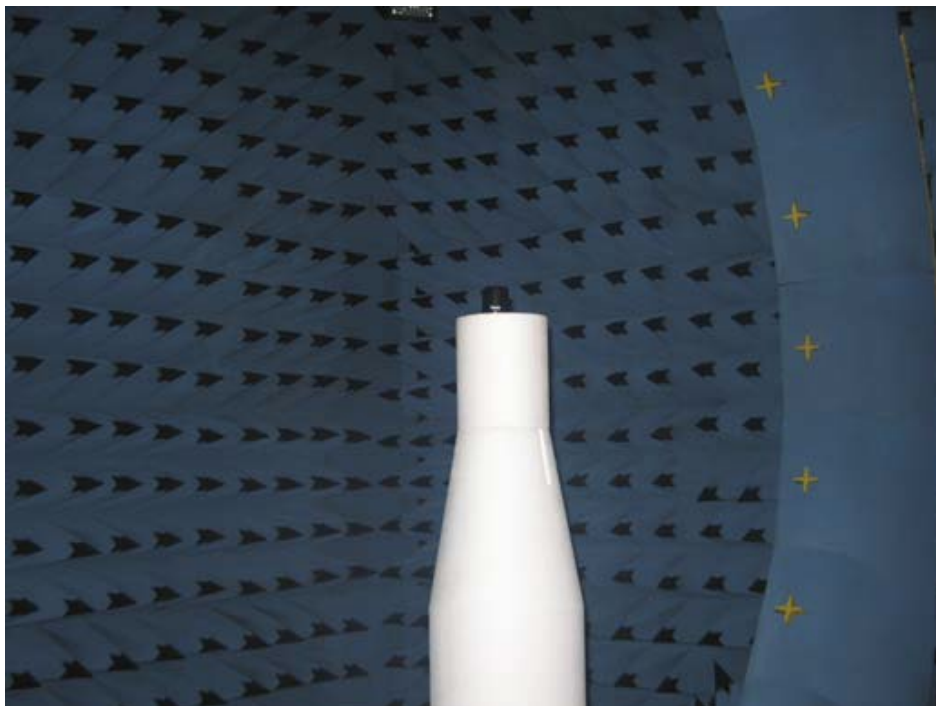
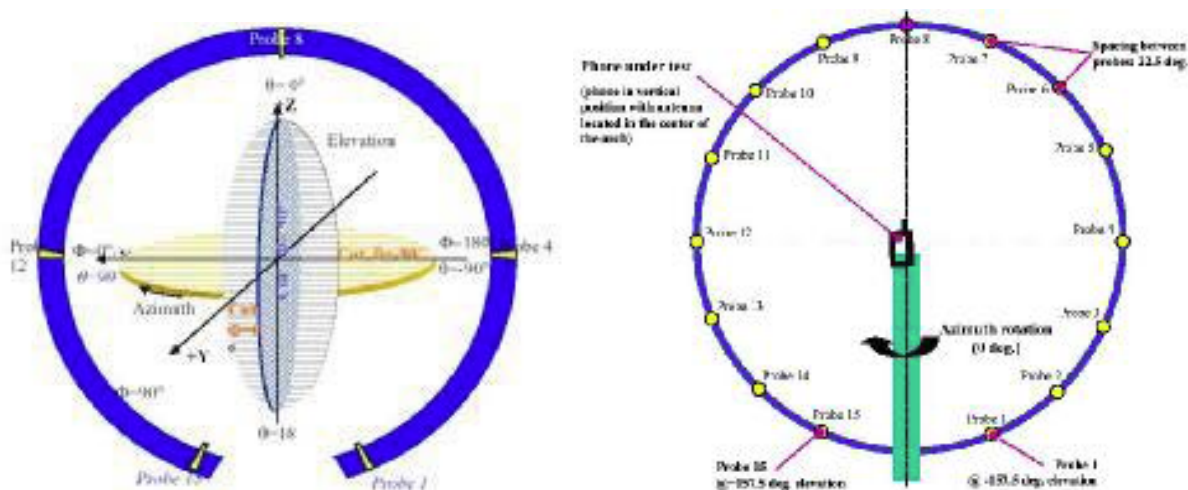
Network Analyzer: Agilent 8753E

Microwave anechoic chamber

Test frequency : 865MHz、867MHz

3. Testing Environment:

Temperature: 25.3°C Humidity : 40.2%



4. Test Results:

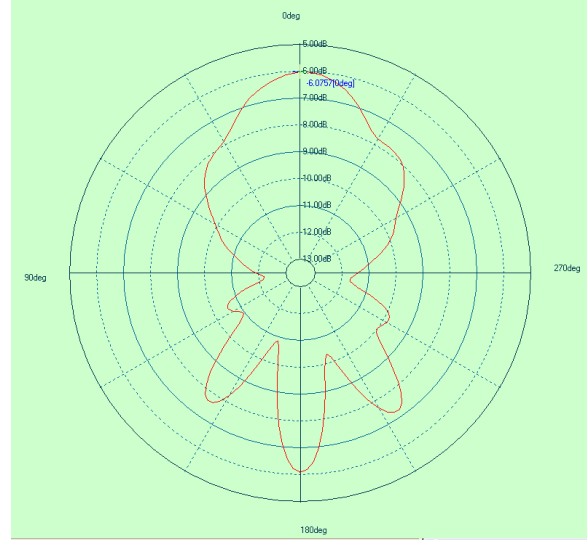
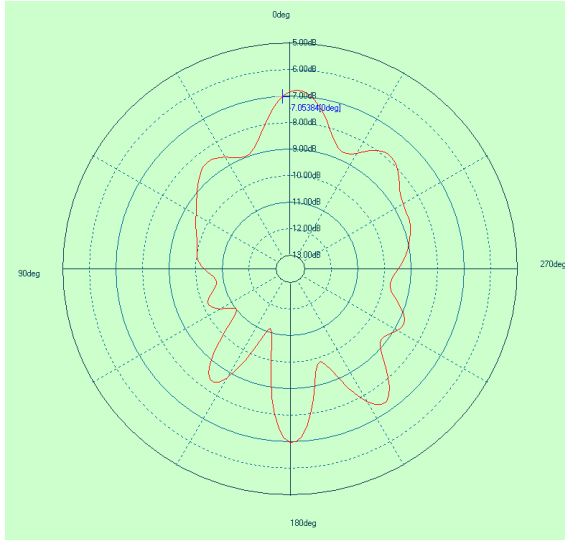


DOLIN GROUP LIMITED www.dolinele.com
 Sales@dolinele.com dolinsales@163.com
 Skype: dolinsales What's APP: +86 19 5858 4601

E-Plane/Horizontalpolarization (Phi=0°)

Freq.(MHz)865867

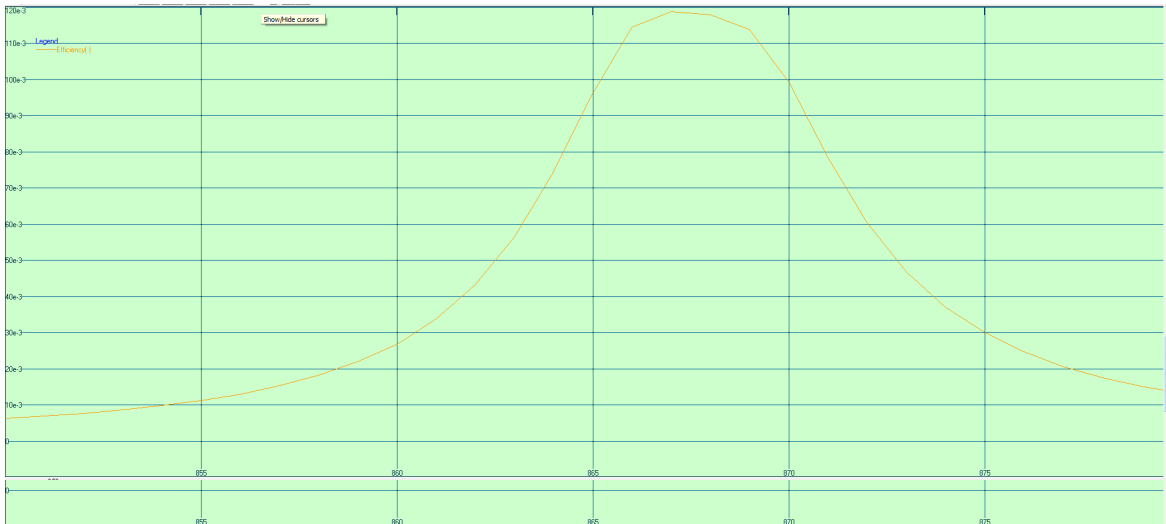
PeakGain(dBic)-7.0-6.0



Efficiency

Freq.(MHz)865867

Efficiency9.6%12%



Notes:

Electrostatic sensitive device, Observe precautions for handling.

