

# GNSS Helical Antenna Specification



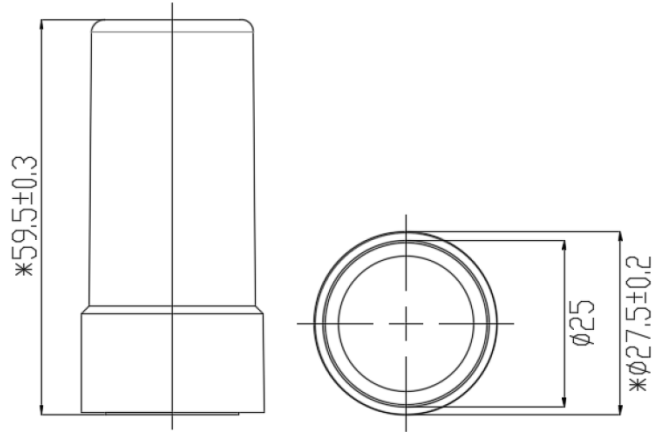
**Model: DLGNSS03-H1-02 (L1L2)**

## Specifications

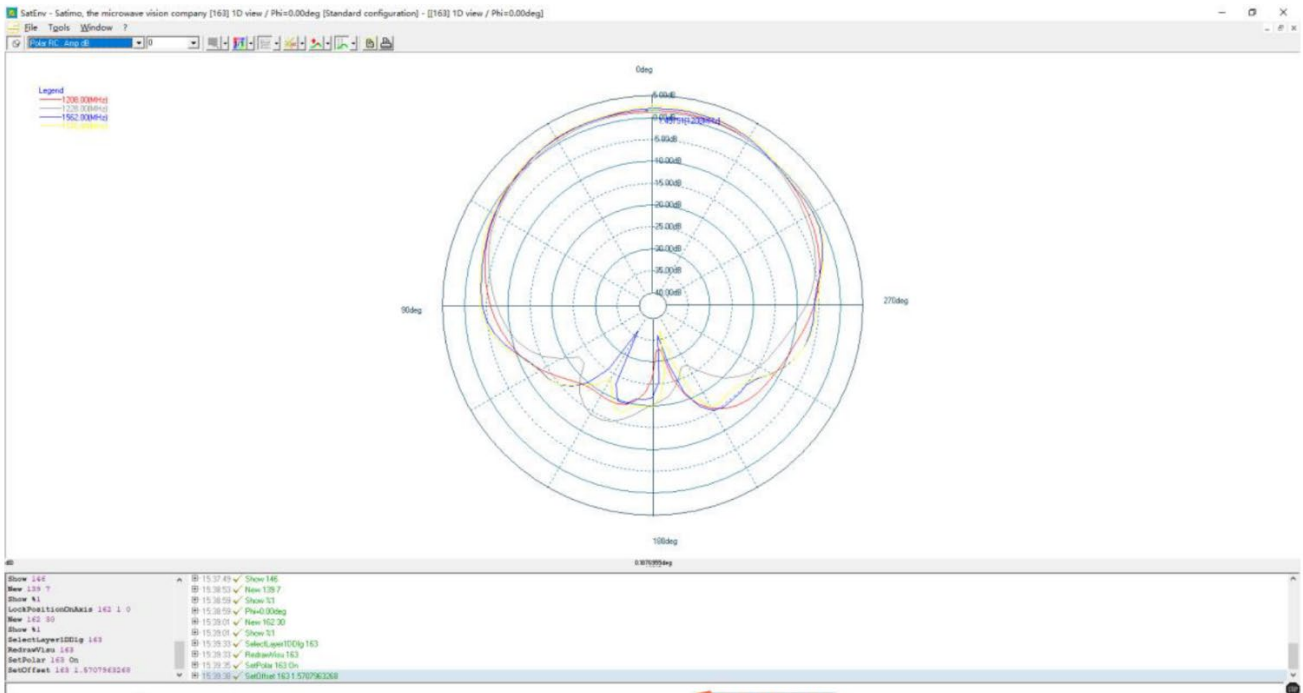
Antenna	
Ceramic antenna size	GPS: L1, L2 BEIDOU: B1, B2 GLONASS: G1 (1205-1237MHz, 1559-1606MHz)
Antenna Gain(Typical, dBi)	2.0dBi: at Zenith
Axial Ratio	$\leq 2.0$
VSWR	$\leq 2.0$
Impedance	50 ohm
Polarization	RHCP
LNA gain	$36 \pm 3$ dB
Noise Figure	1.1 (Typical)

<b>Out hand Rejection (Absolute value)</b>	$\geq 25\text{dB}(\text{f}0+100\text{MHz})$ $\geq 40\text{dB}(\text{f}0-100\text{MHz})$
<b>DC Voltage</b>	3~5V
<b>DC current</b>	$\leq 30\text{mA}$ (23mA@3.3V)
<b>Weight</b>	15g
<b>Material</b>	
<b>Antenna</b>	PI
<b>PCB</b>	FR4
<b>RF Connector</b>	SMA male
<b>Environment Condition</b>	
<b>Working Temp</b>	-45°C~+85°C
<b>Storage Temp</b>	-45°C~+85°C
<b>Vibration</b>	Sine sweep 1g(0-p) 10~55~10Hz each axis

## Size drawing

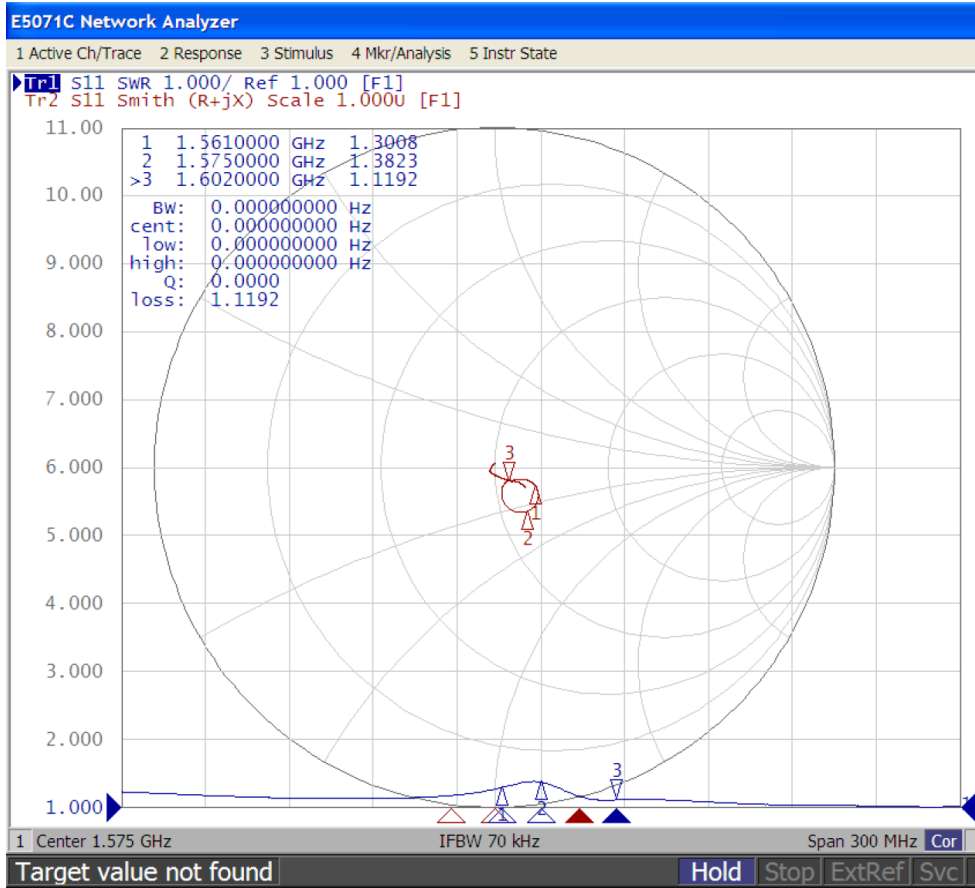


## Pattern

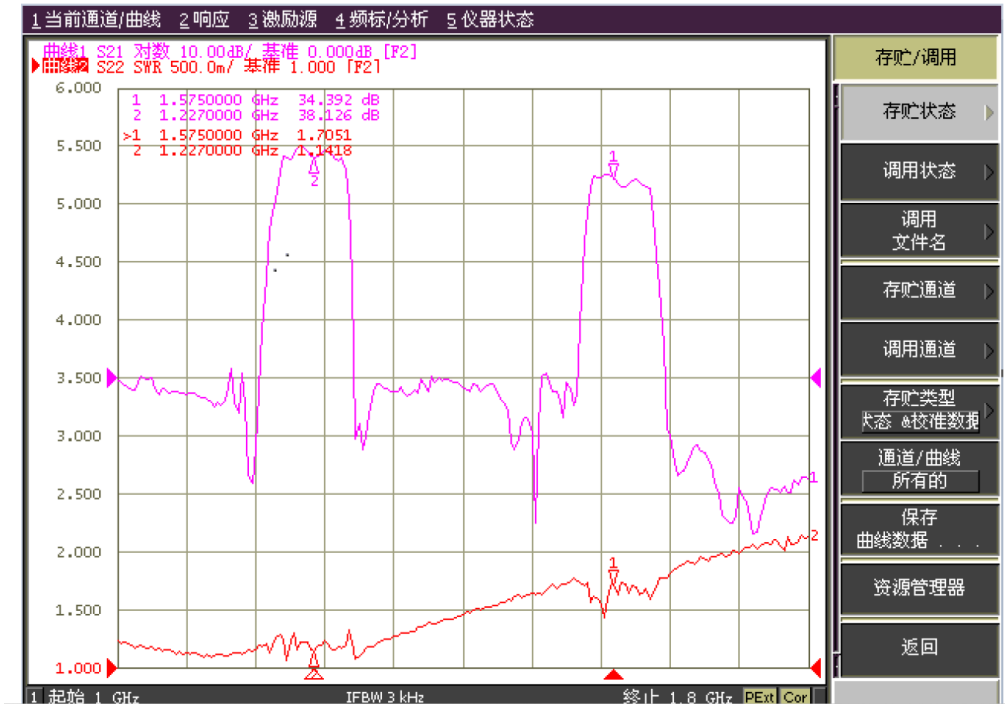


DOLIN GROUP LIMITED [www.dolinele.com](http://www.dolinele.com)  
[Sales@dolinele.com](mailto:Sales@dolinele.com) [dolinsales@163.com](mailto:dolinsales@163.com)  
Skype: dolinsales What's APP: +86 19 5858 4601

Antenna Gain



Antenna VSWR ≤ 2.0



## Note

1. This product specification guarantees the quality of our product as a single unit. Please make sure that your product is evaluated and confirmed against your specifications when our product is mounted to your product.
2. The product will get free warranty for three months since the date of purchase users operate in the correct way; users will have to pay cost of the materials and maintaining fee out of the condition.
3. Electrostatic sensitive device. Observe precautions for handling.

