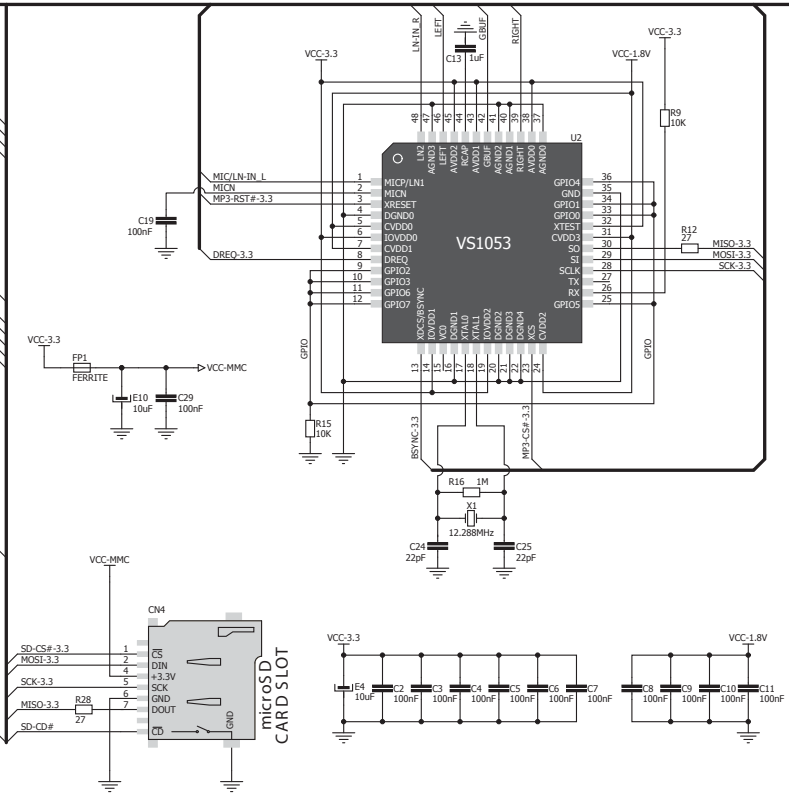
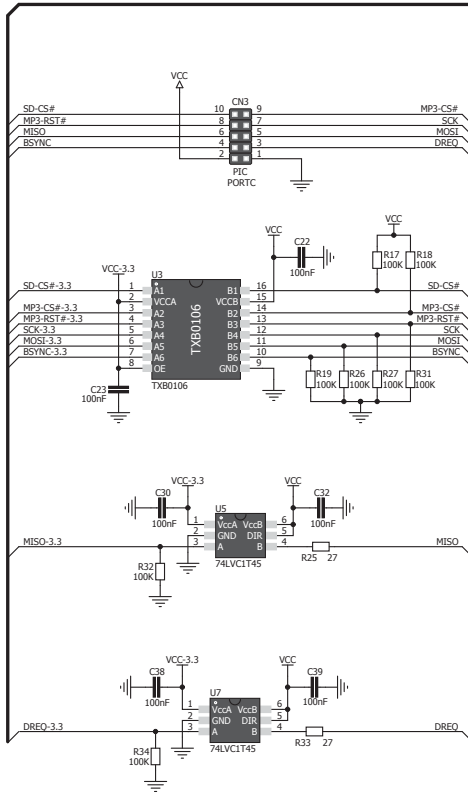
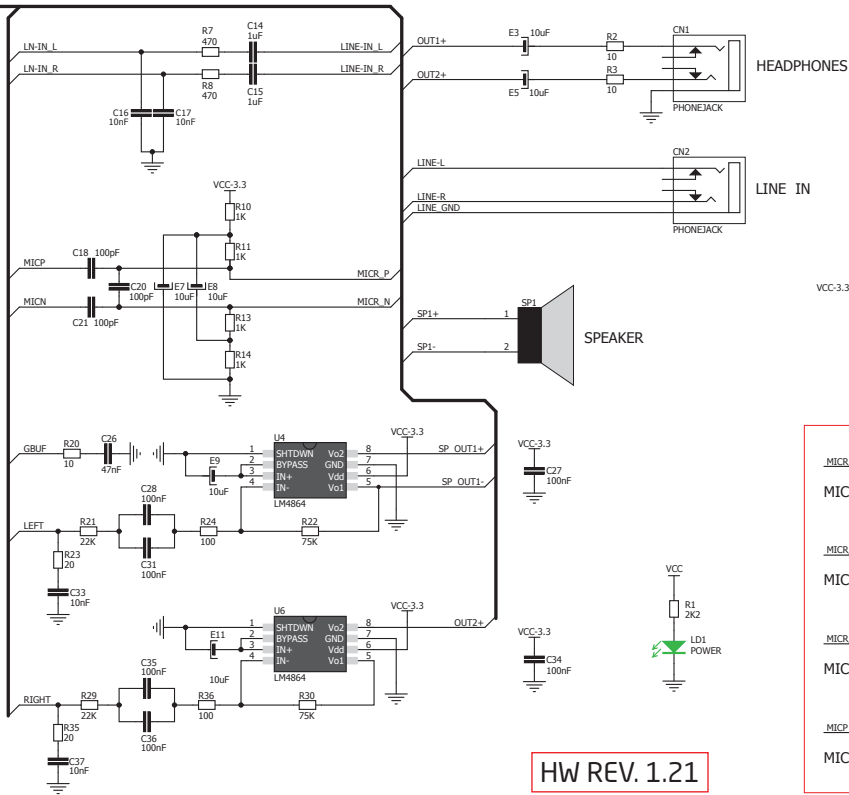


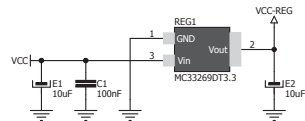
SmartMP3™

We present you with a complete color schematics for SmartMP3™ development board.
We want you to know what your board is consisted of and how it actually works

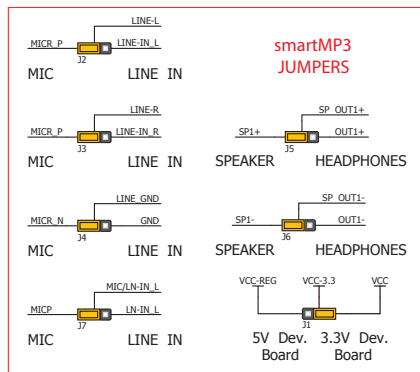
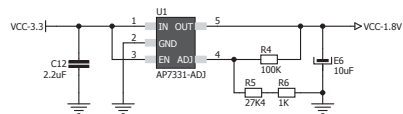




3.3V VOLTAGE REGULATOR



1.8V VOLTAGE REGULATOR



HW REV. 1.21



SmartMP3 Schematic
ver. 1.21



MikroElektronika assumes no responsibility or liability for any errors or inaccuracies that may appear in the present document. Specification and information contained in the present schematic are subject to change at any time without notice.

Copyright 2003-2013 by MikroElektronika.
All rights reserved.