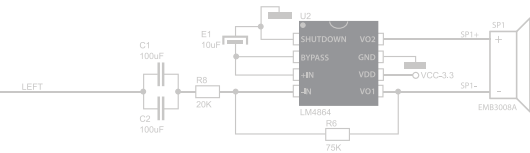


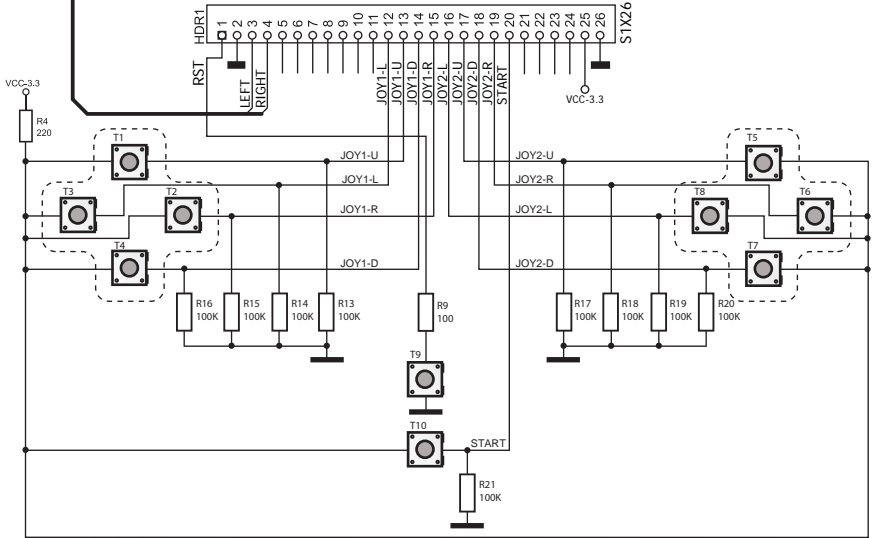
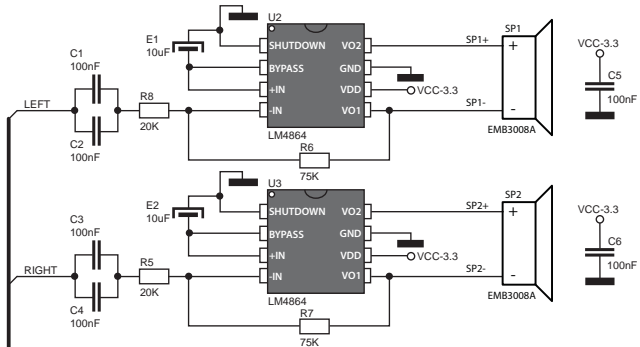
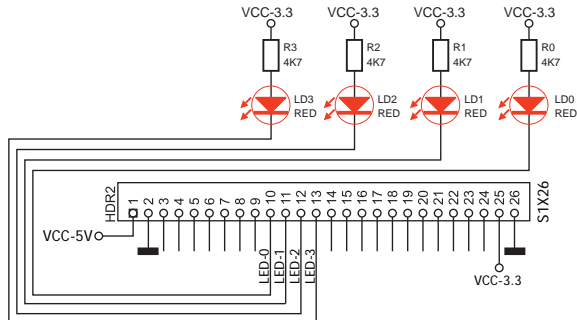
schematic



mikromedia

Gaming Shield

Gaming shield is an extension board for your mikromedia that provides you with standard gaming buttons and audio speakers, so you can build and play your favorite arcade games.



HW REV. 1.00

Copyright 2003-2011 by MikroElektronika. All rights reserved.

MikroElektronika assumes no responsibility or liability for any errors or inaccuracies that may appear in the present document.

Specification and information contained in the present schematic are subject to change at any time without notice.

If you are experiencing some problems with any of our products or just need additional information, please contact our technical support: www.mikroe.com/en/support

If you want to learn more about our product, please visit our website: www.mikroe.com