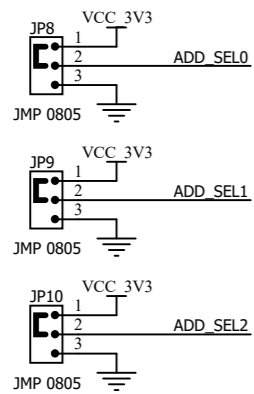
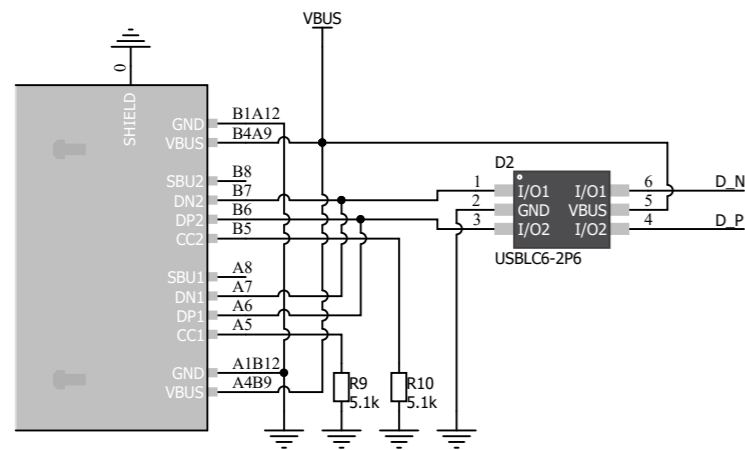


### SEL I2C Address

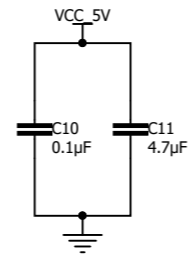


I2C Addr	ADD2	ADD1	ADD0
0x1D	0	0	0
0x1E	0	0	1
0x28	0	1	0
0x29	0	1	1
0x68	1	0	0
0x69	1	0	1
0x6A	1	1	0
0x6B	1	1	1

### Micro USB Connector



SMD 16P



### USB to UART

