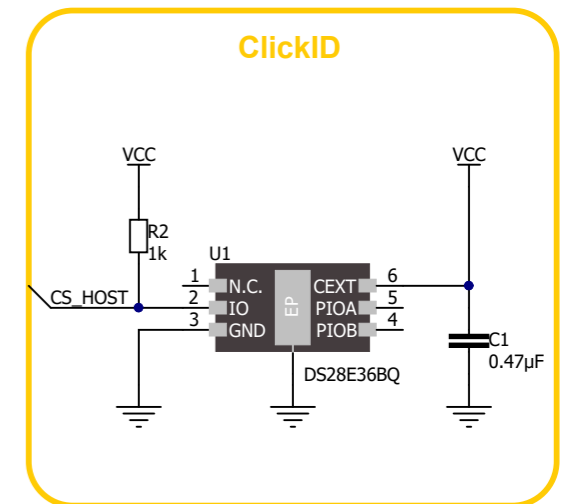
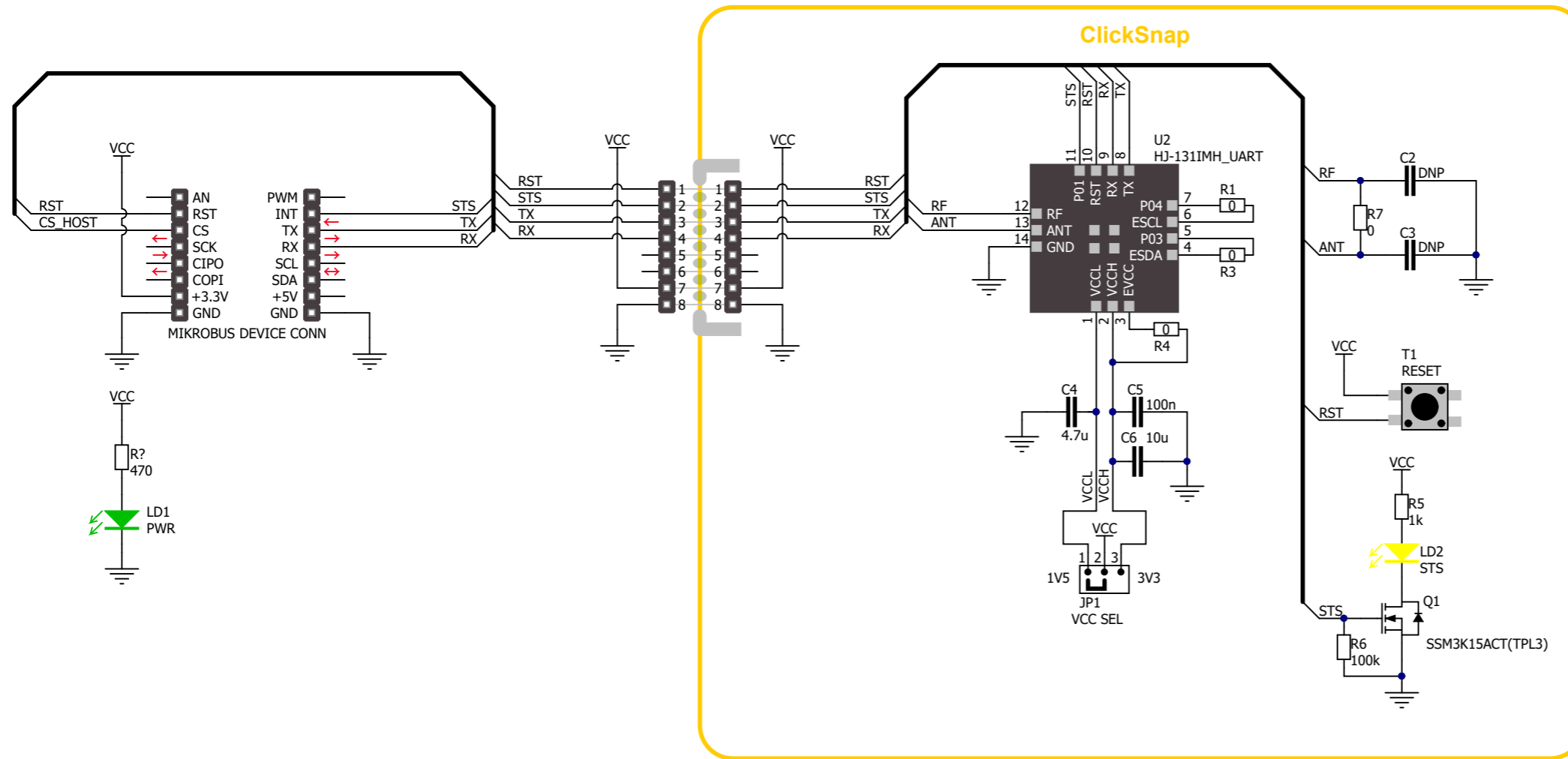


WRLS 2.4GHz Click schematic v100



www.mikroe.com