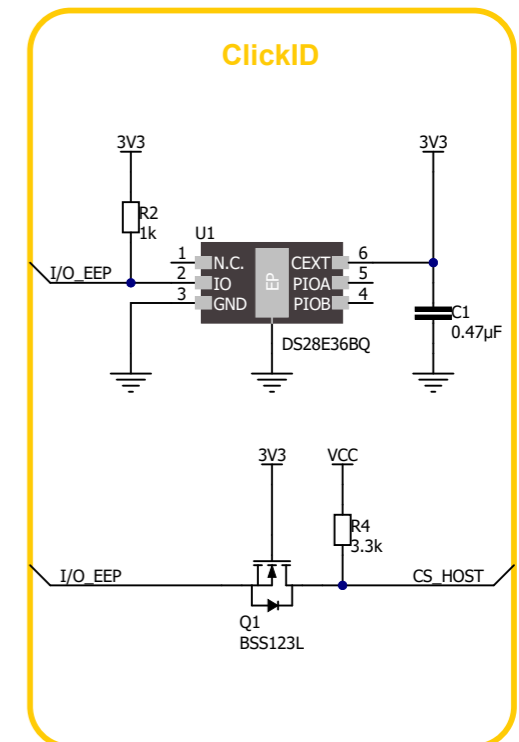
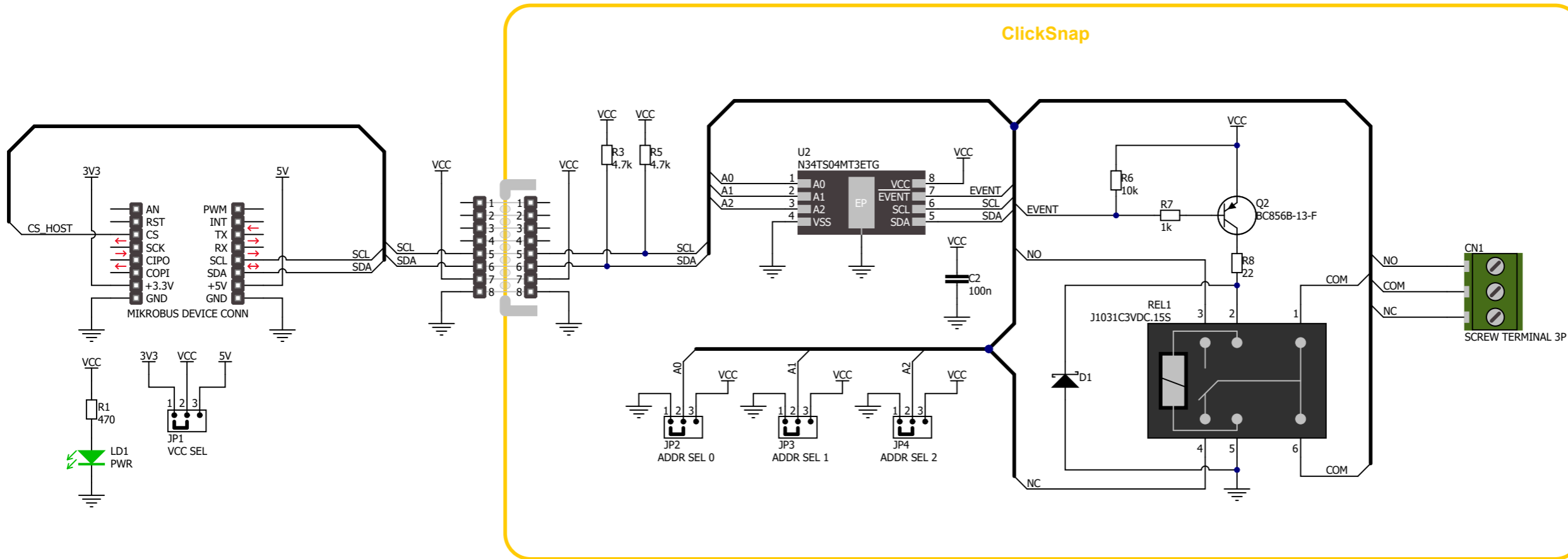


Thermostat 7 Click schematic v100



www.mikroe.com