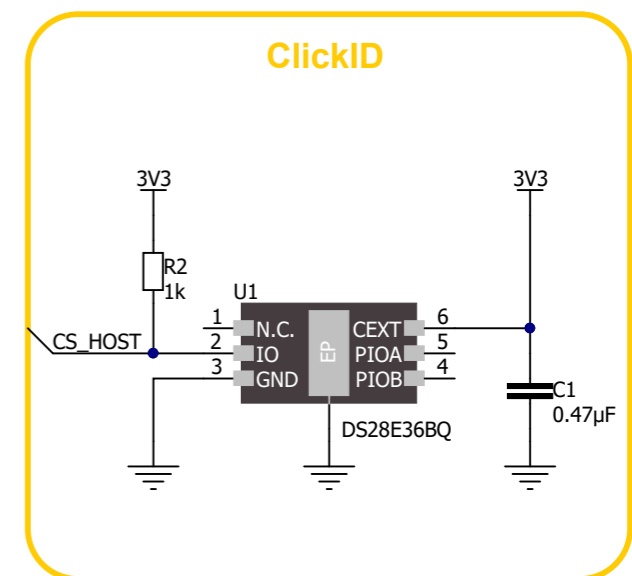
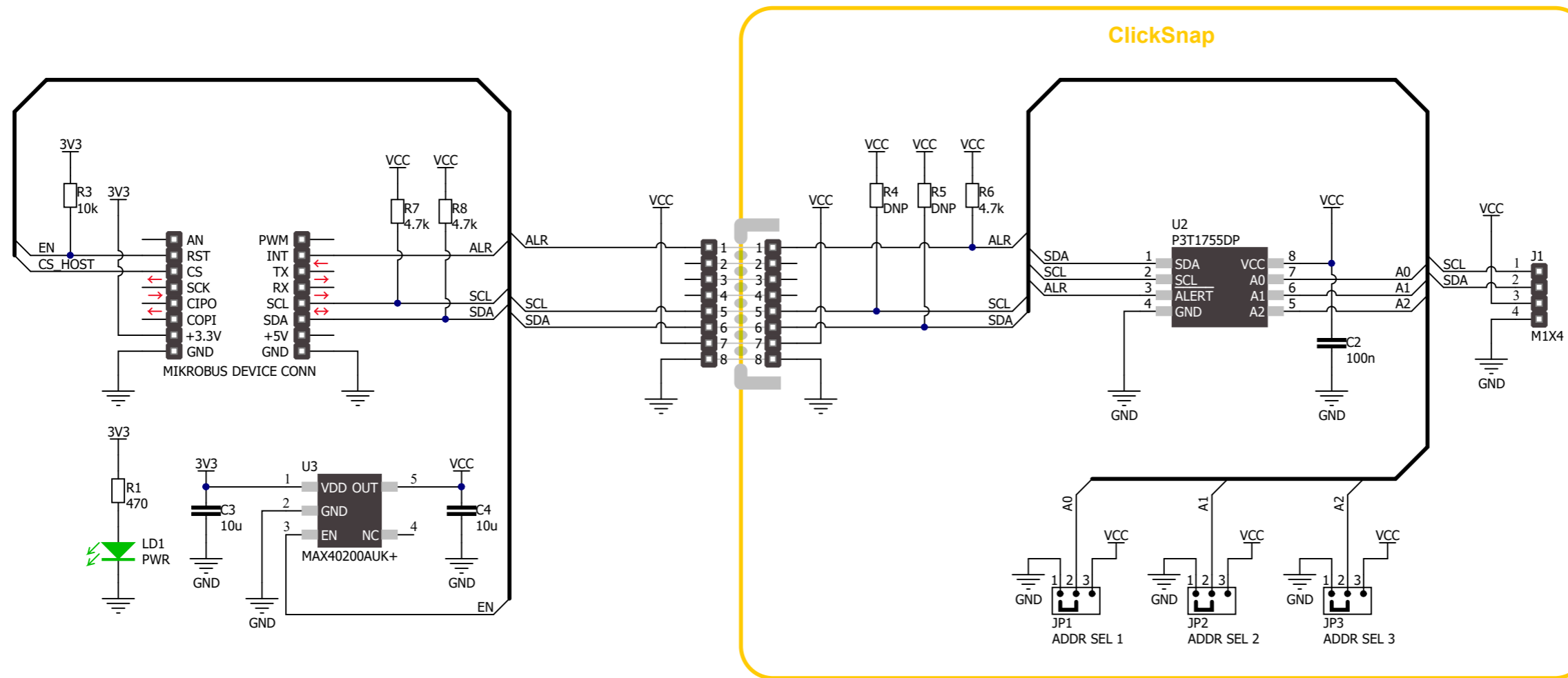


Thermo 10 Click schematic v101



www.mikroe.com