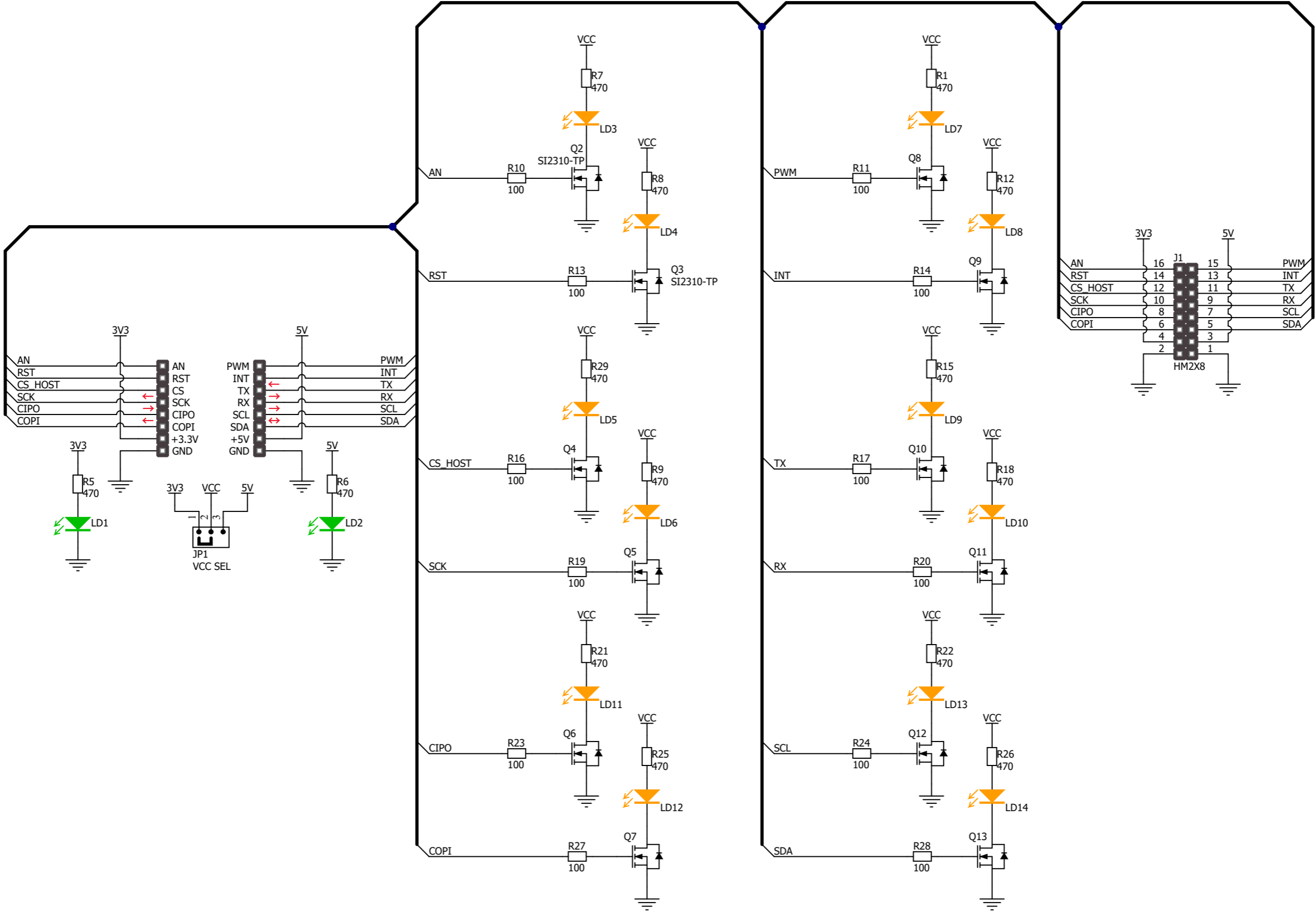


# Tester 3 Click schematic v100



[www.mikroe.com](http://www.mikroe.com)

MIKROE assumes no responsibility for any errors or inaccuracies that may appear in the present document. Specification and information contained in the preset schematic are subject to change at any time without notice. Copyright©2026 MIKROE. All rights reserved.