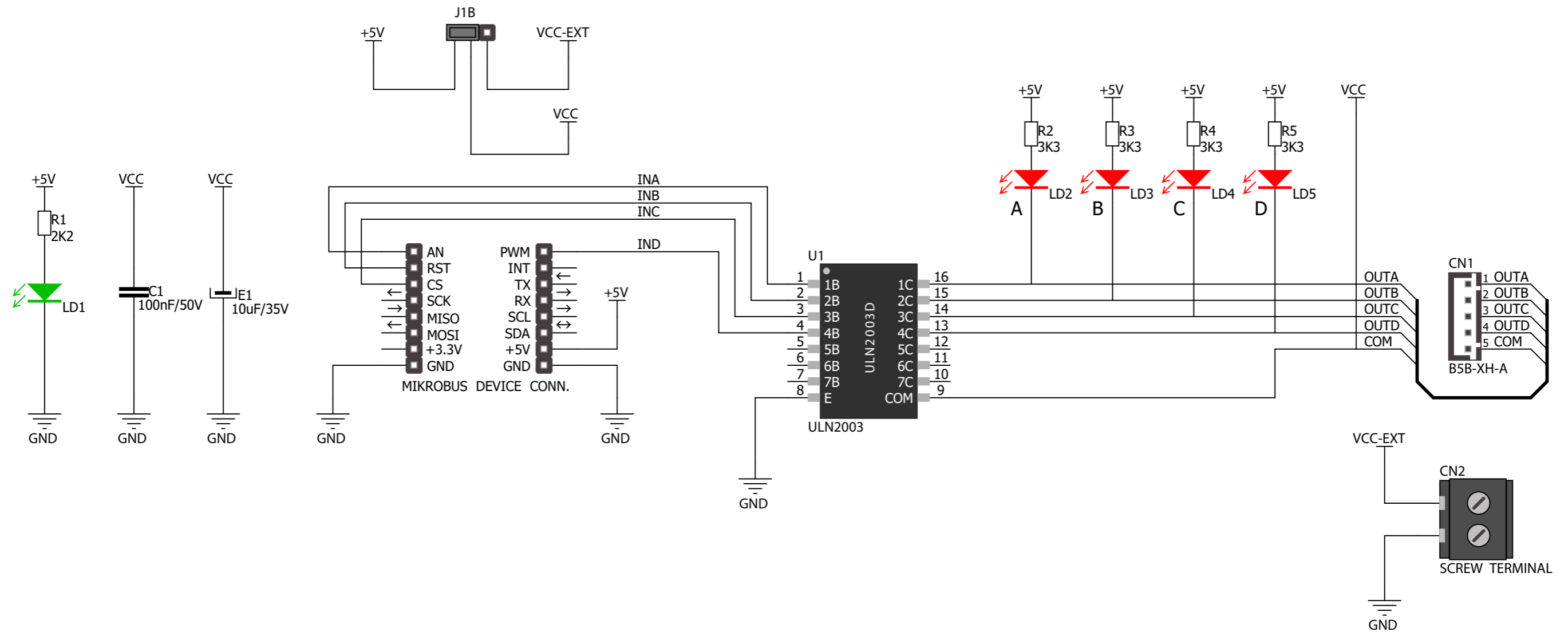


Stepper 3 Click schematic v103



www.mikroe.com