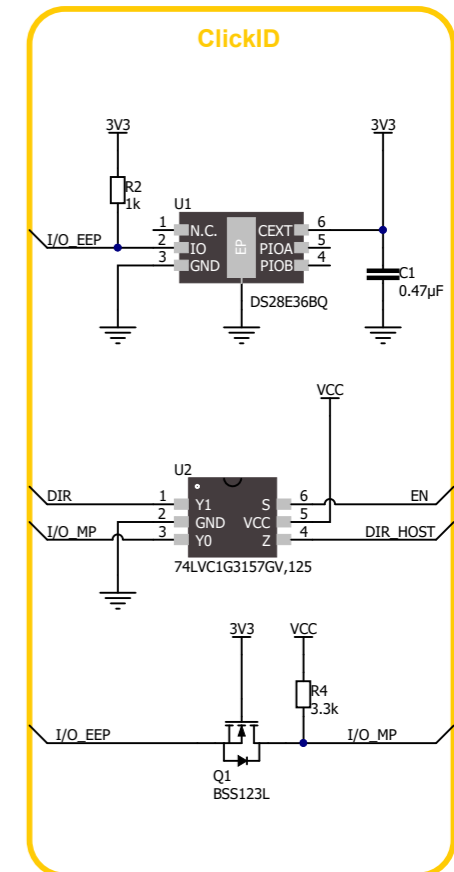
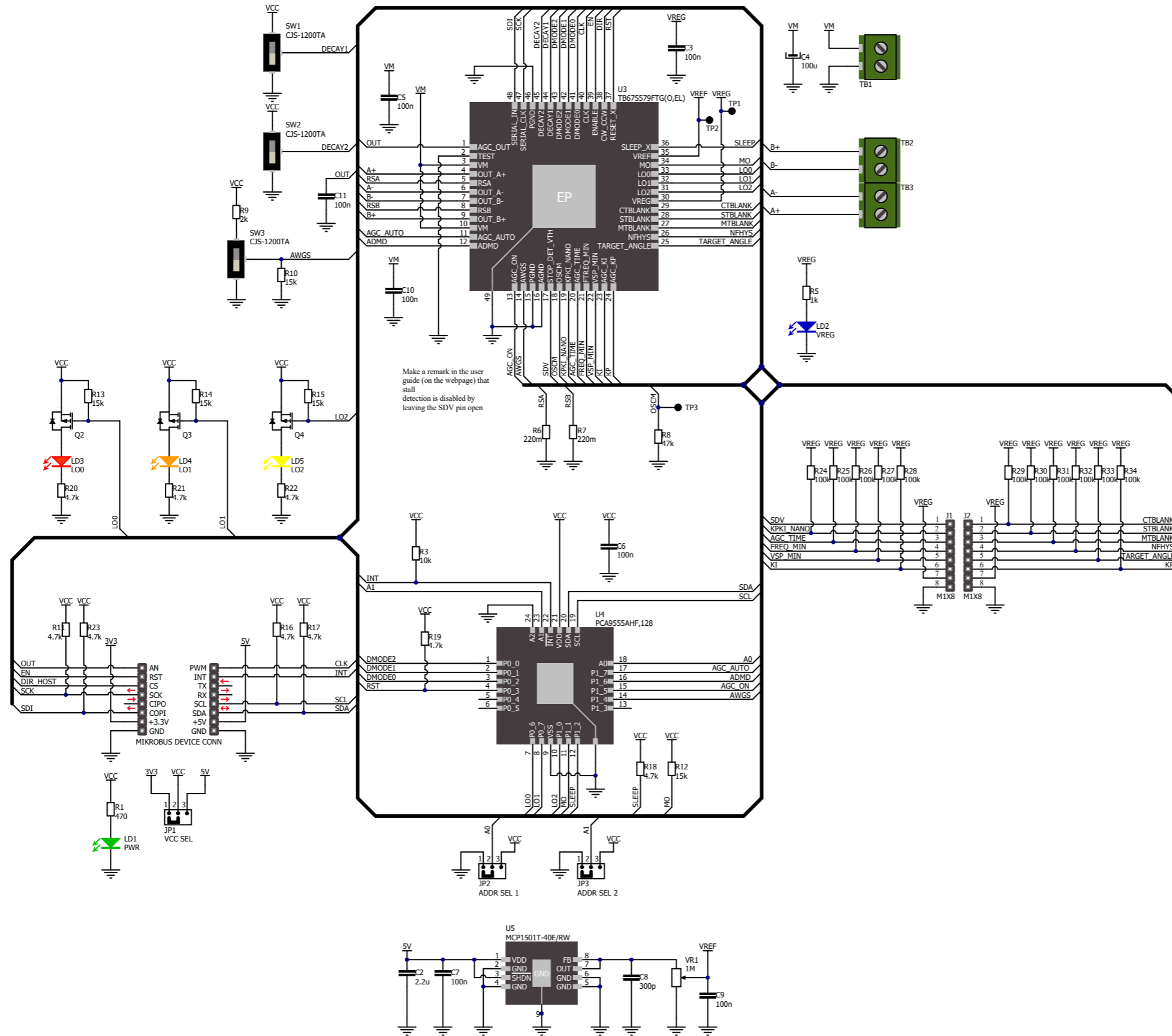


# Stepper 29 Click schematic v101



[www.mikroe.com](http://www.mikroe.com)