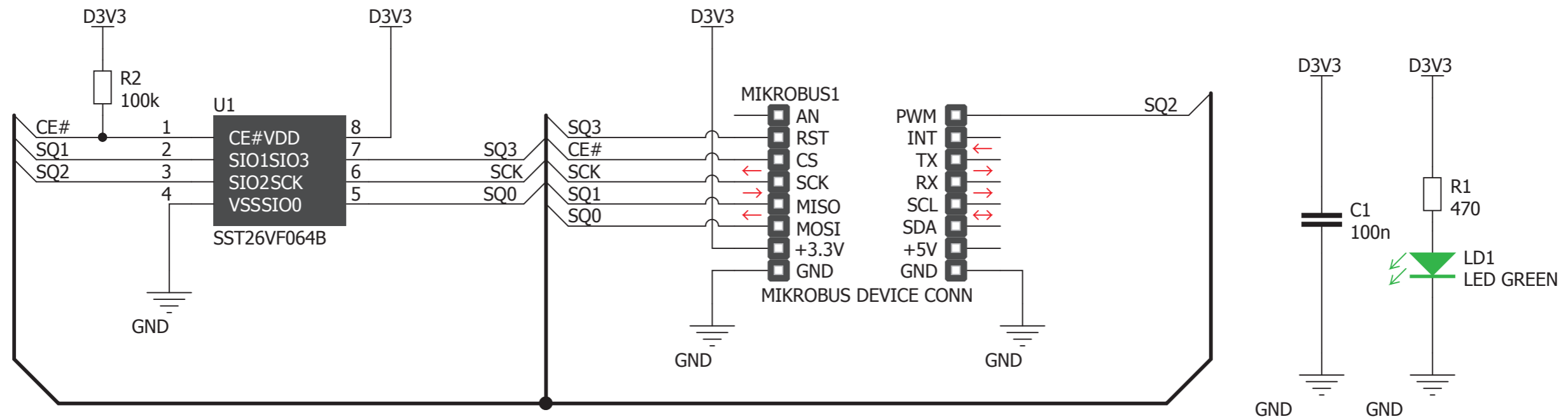


SQI Flash click schematic v100



www.mikroe.com