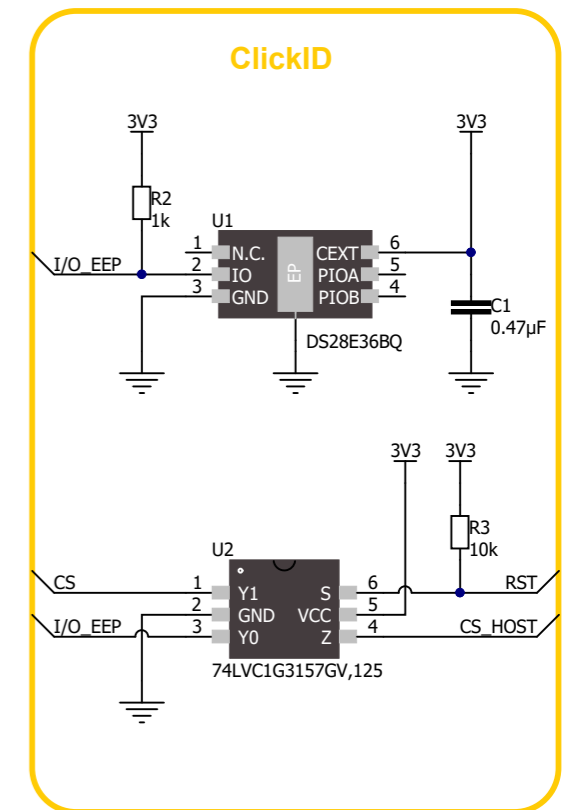
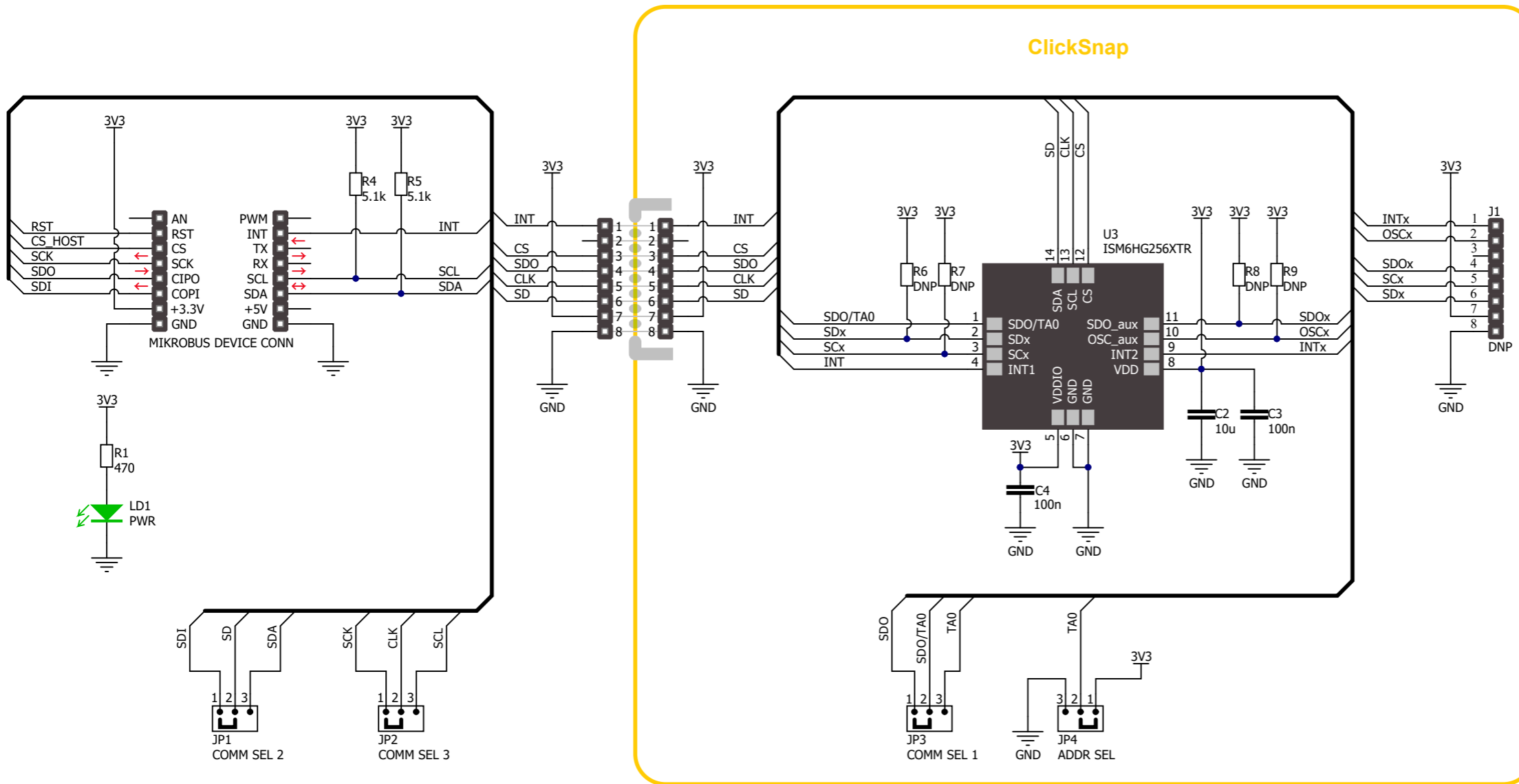


Smart DOF 6 Click schematic v100



www.mikroe.com