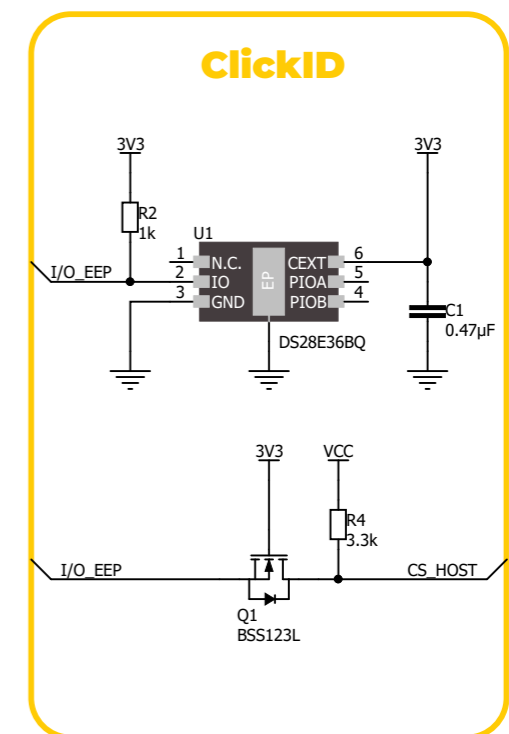
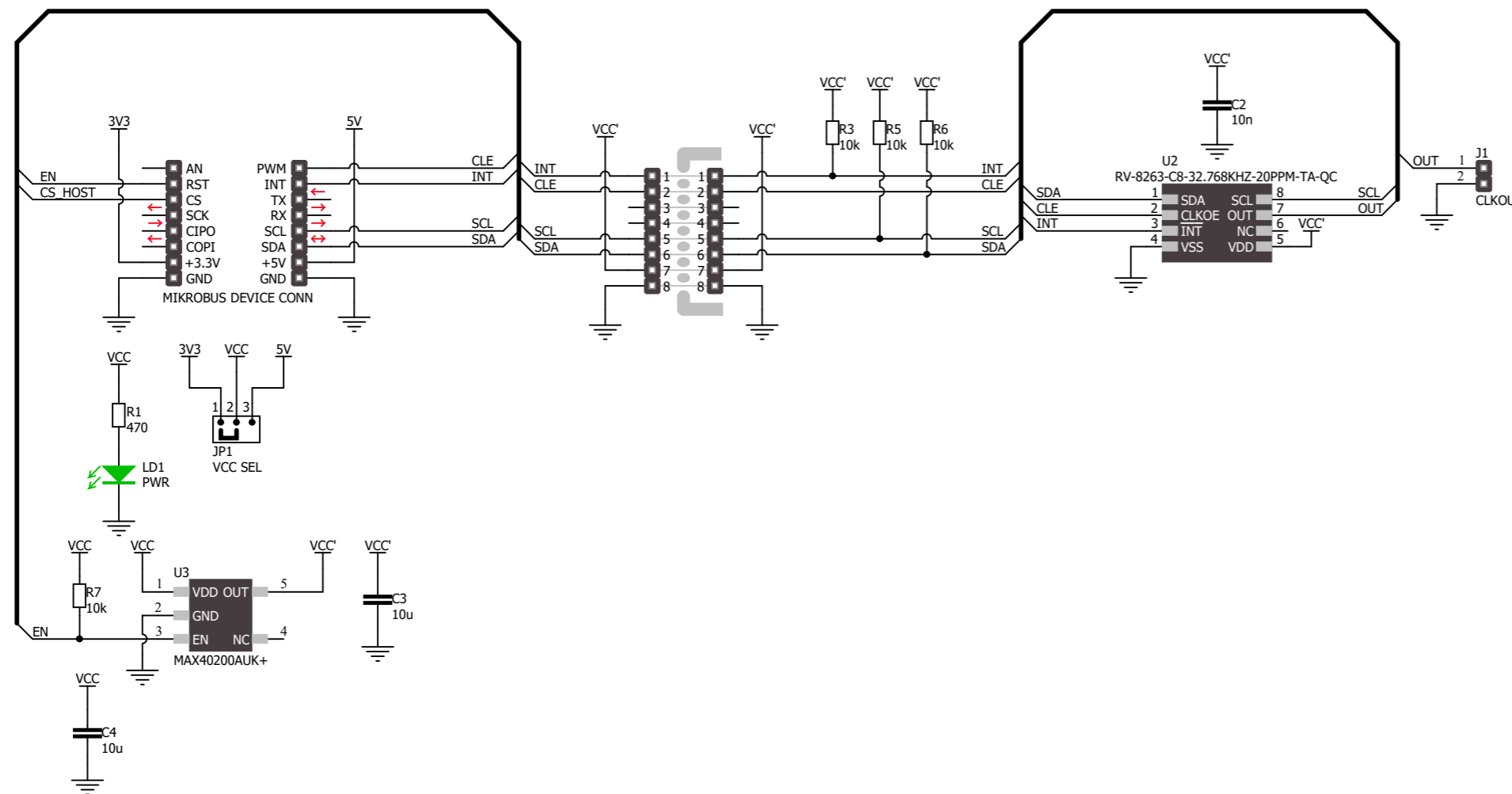


RTC 15 Click schematic v100



www.mikroe.com