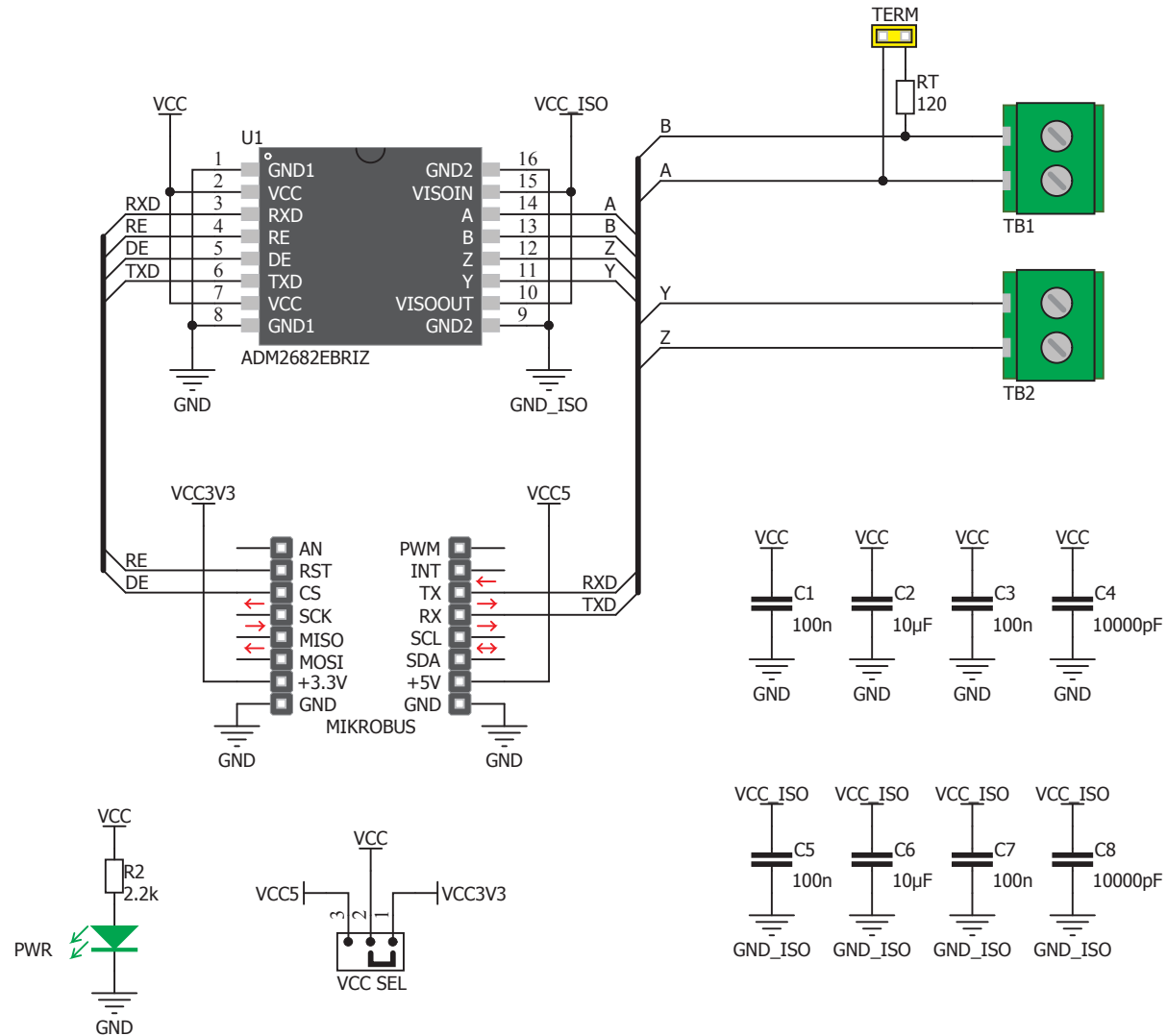


RS485 Isolator click schematic v100



www.mikroe.com