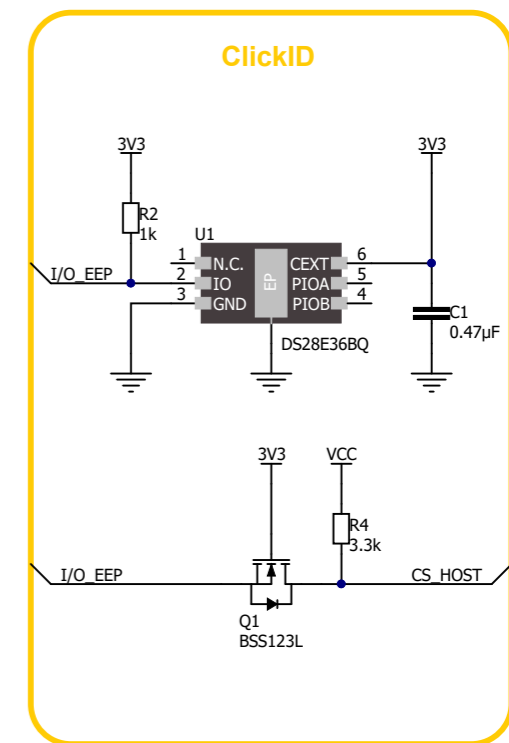
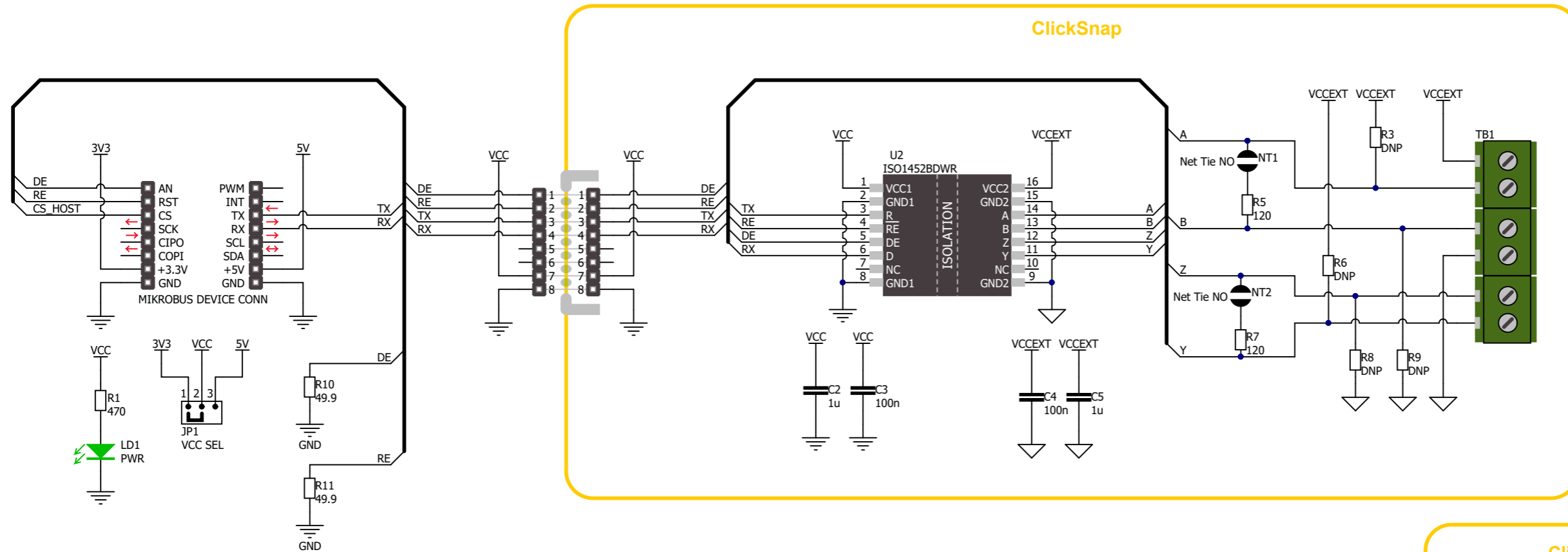


RS485 Isolator 5 Click schematic v100



www.mikroe.com