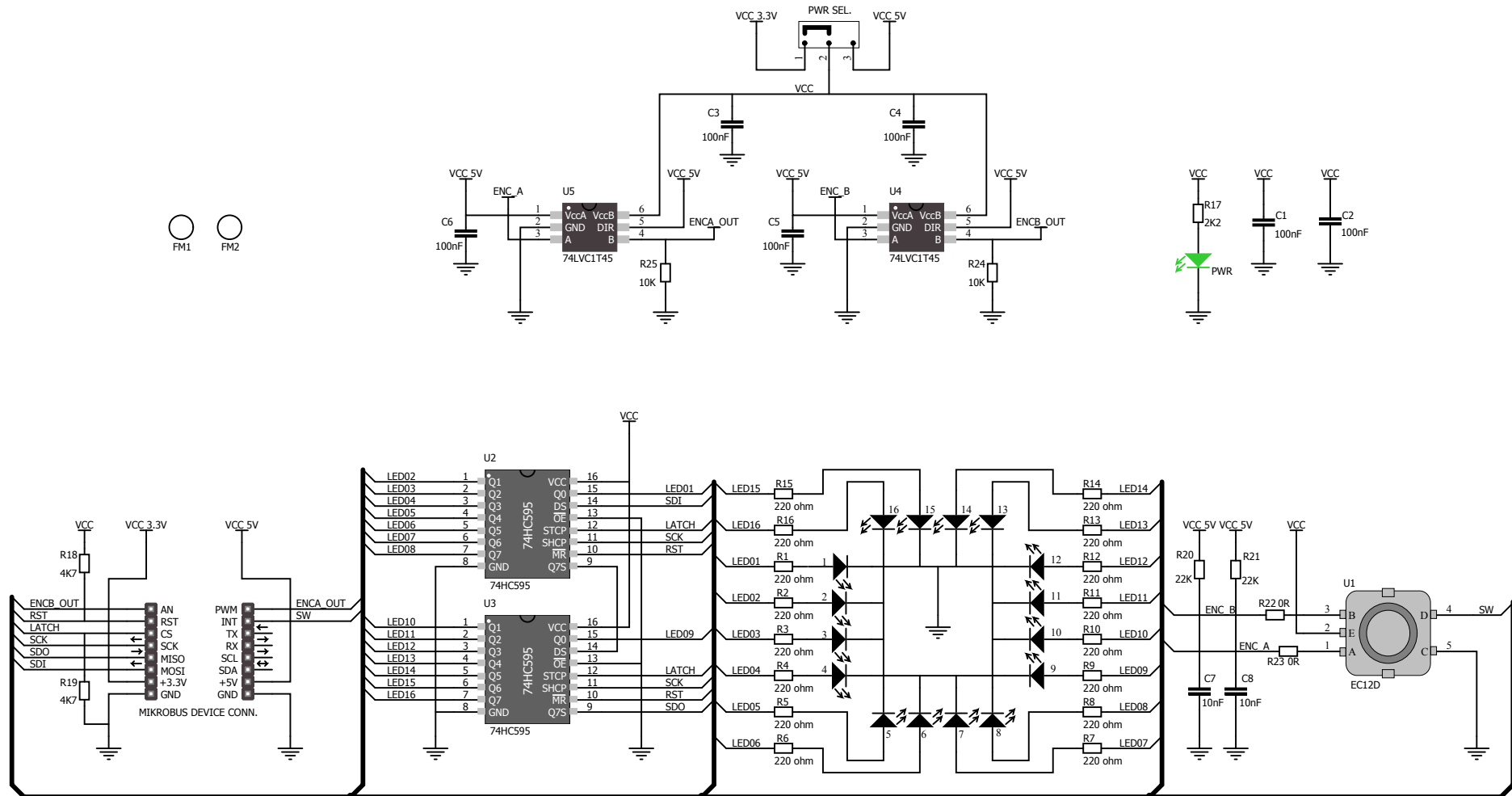


Rotary O click schematic v100



www.mikroe.com