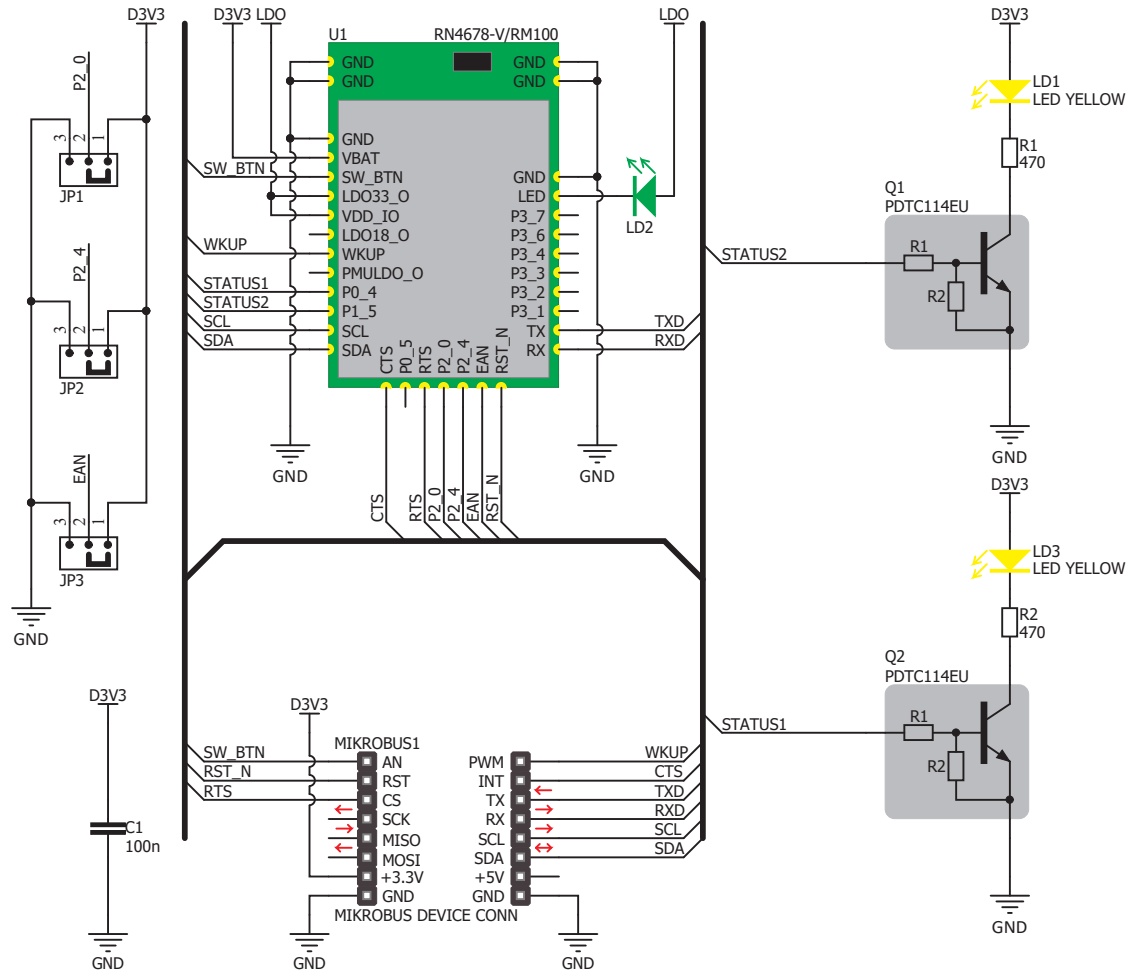


RN4678 click schematic v100



www.mikroe.com