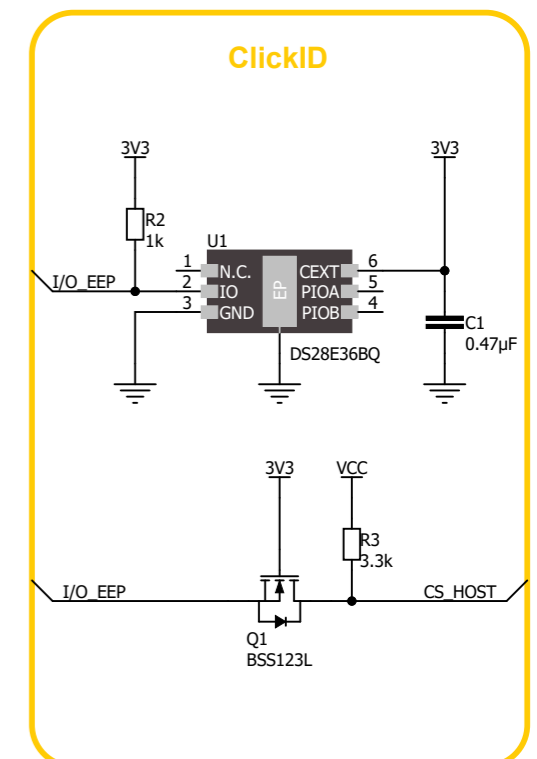
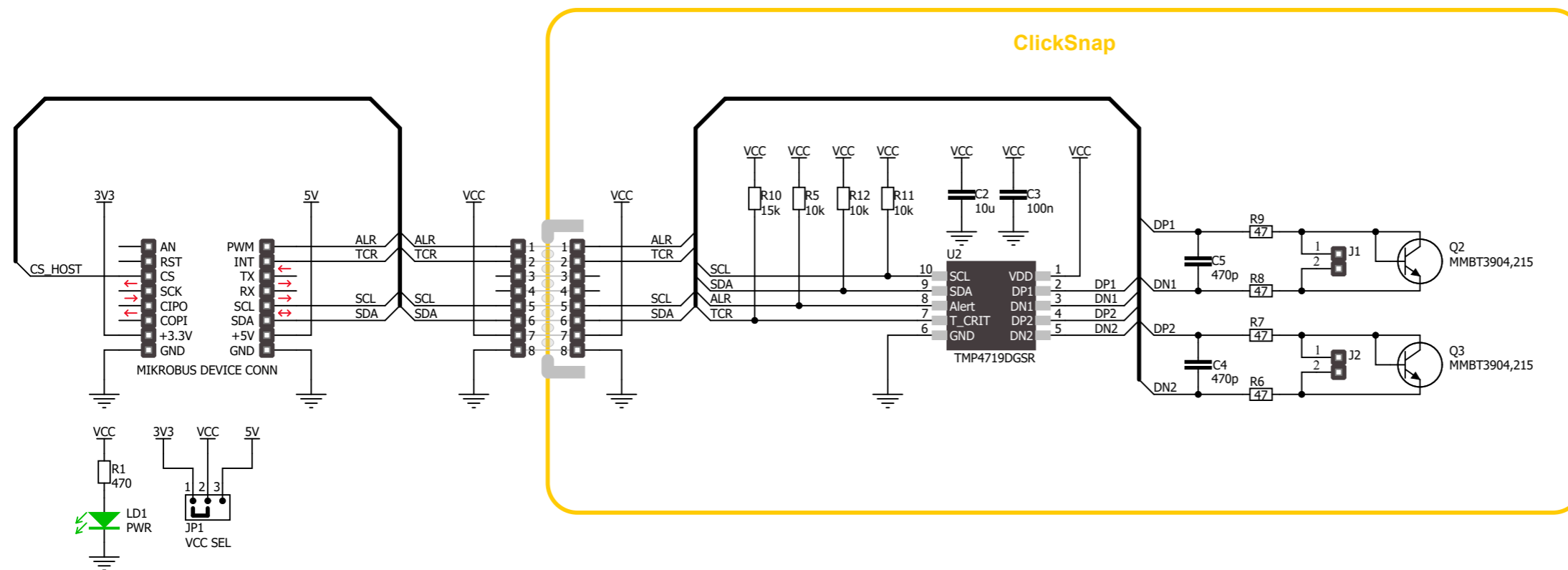


Remote Temp 2 Click schematic v100



www.mikroe.com