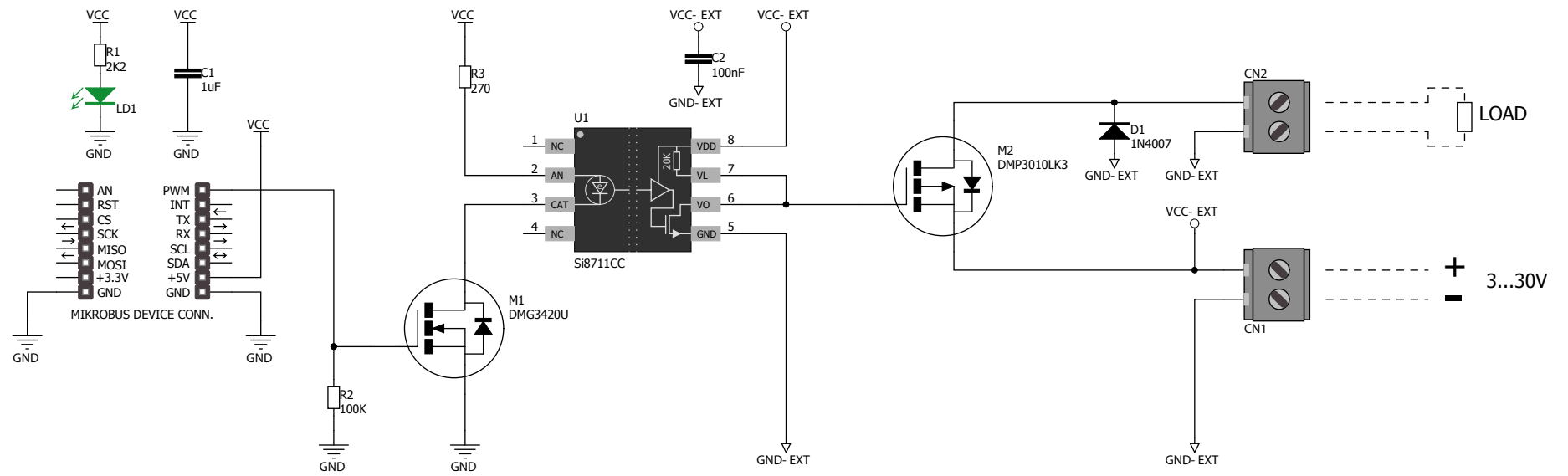


PWM driver click schematic v100



FM1

FM2