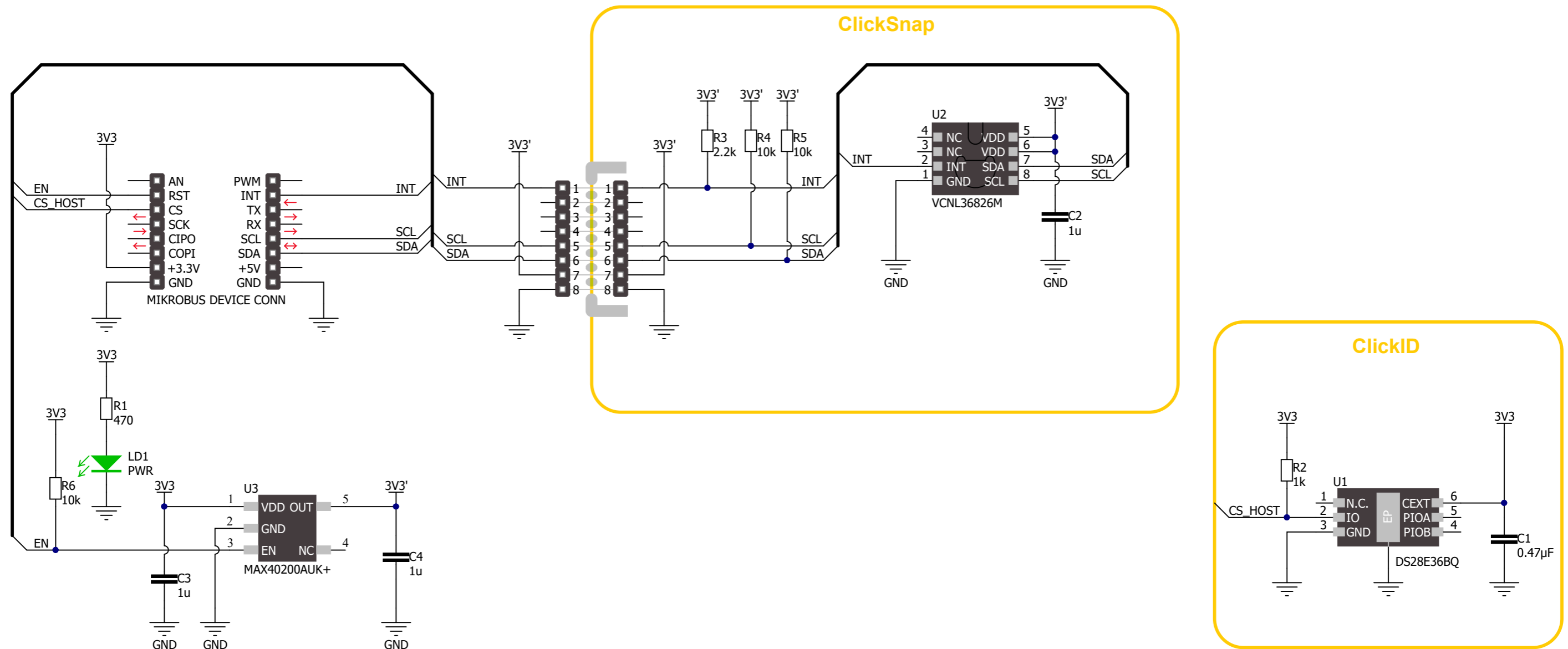


Proximity 23 Click schematic v100



www.mikroe.com