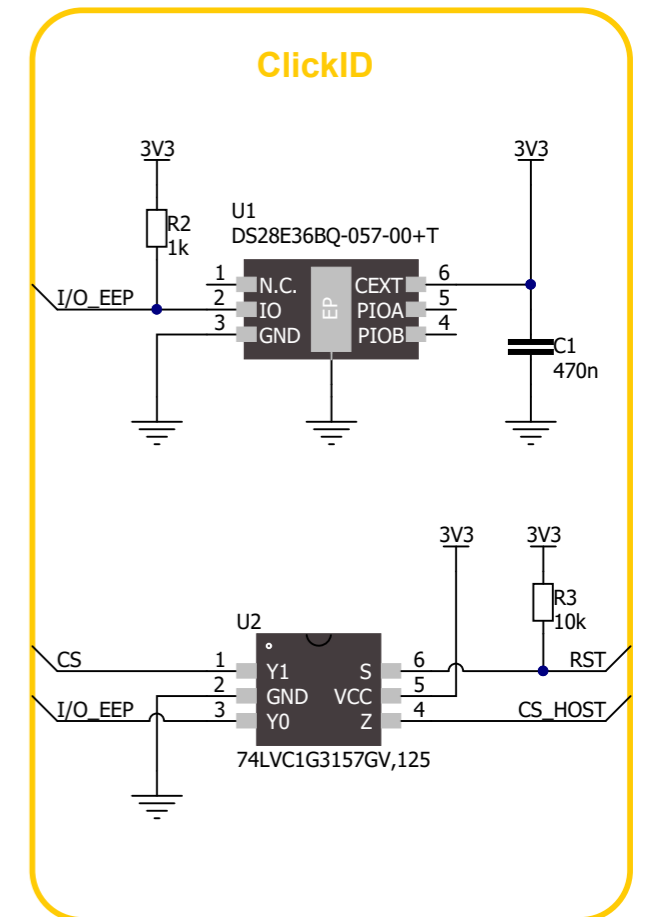
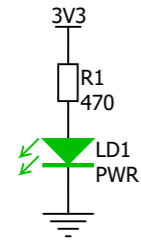
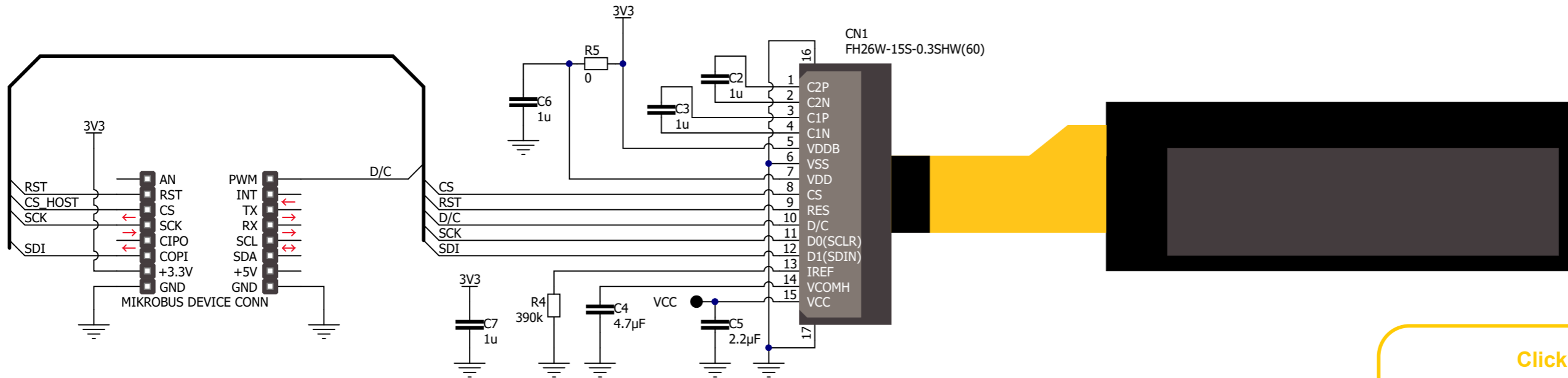


OLED W 2 Click schematic v102



www.mikroe.com