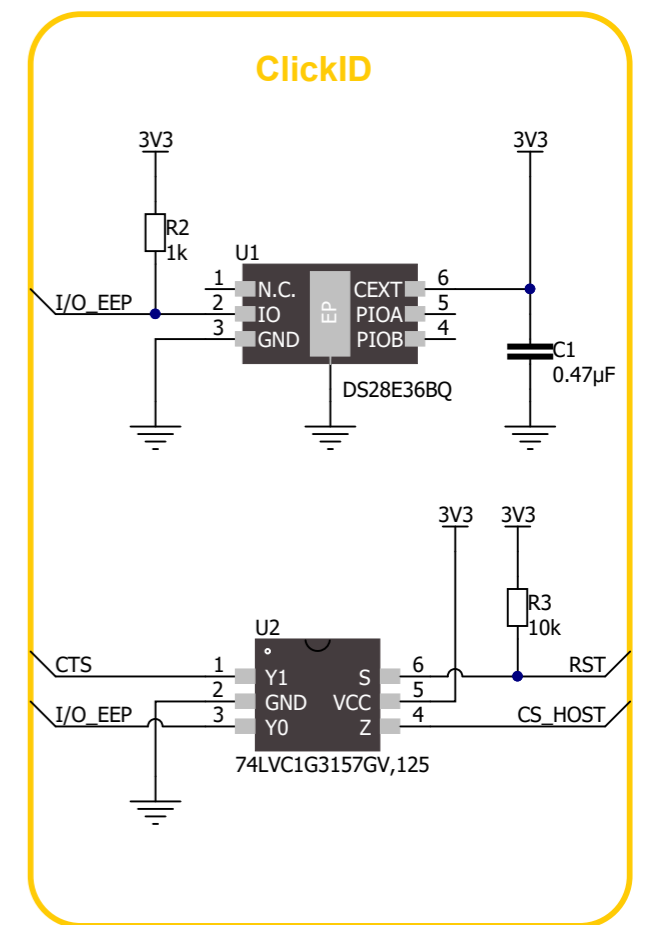
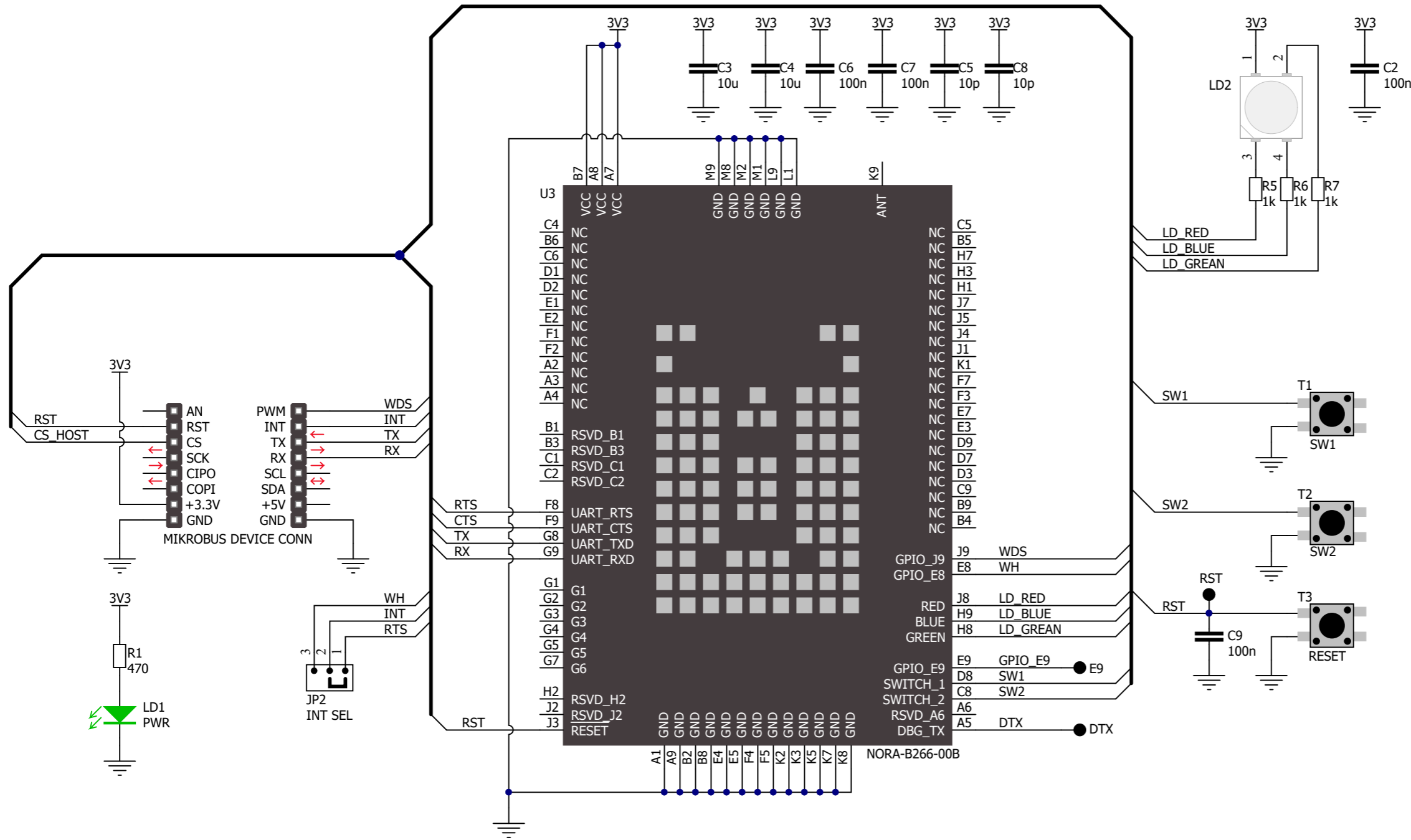


NORA-B266 Click schematic v100



www.mikroe.com