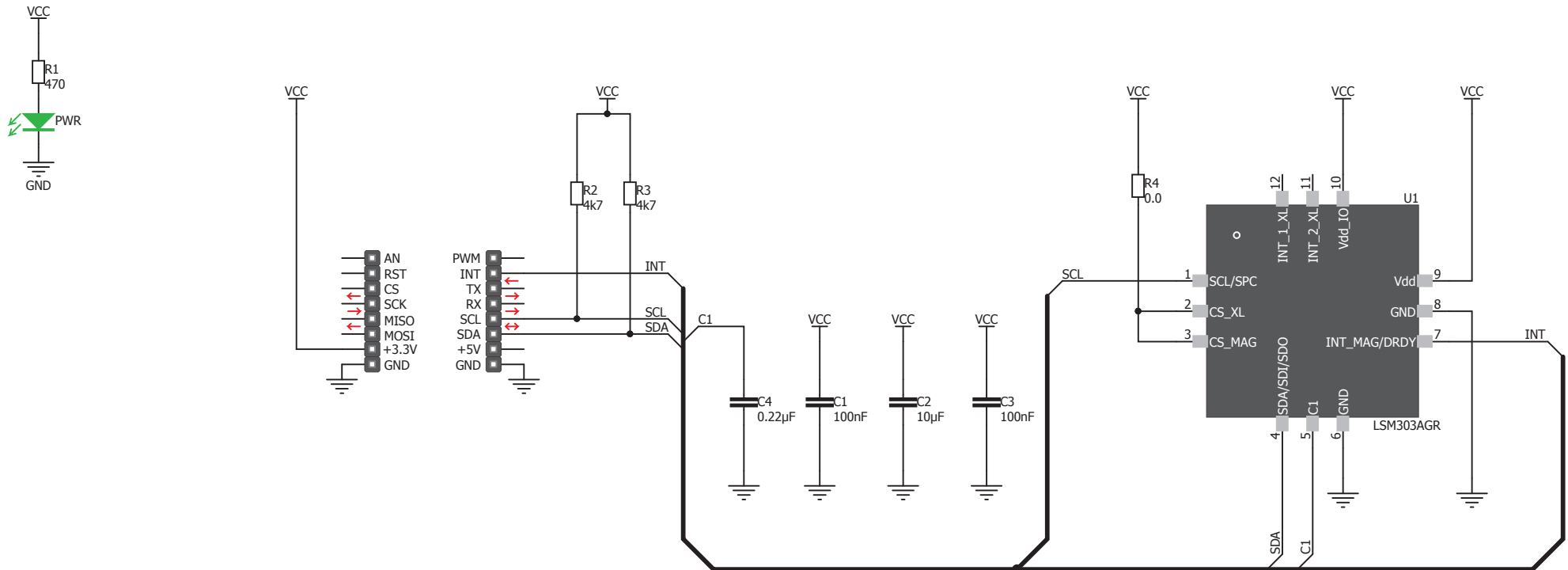


LSM303AGR click schematic v100



www.mikroe.com