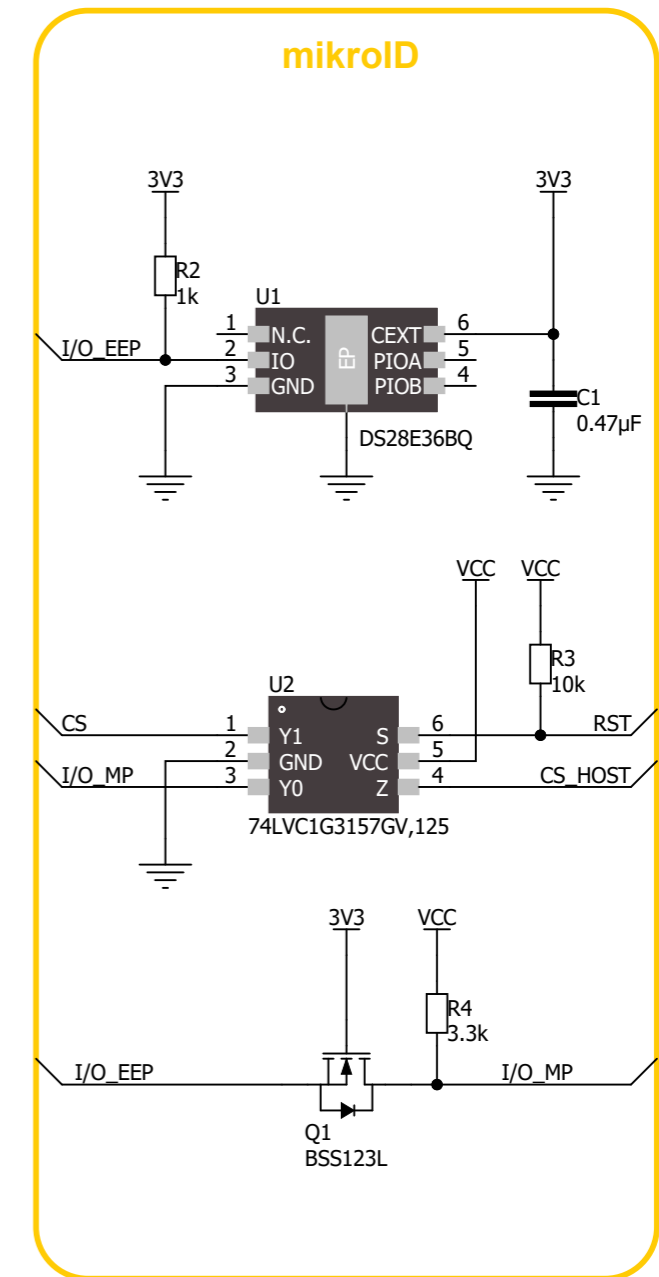
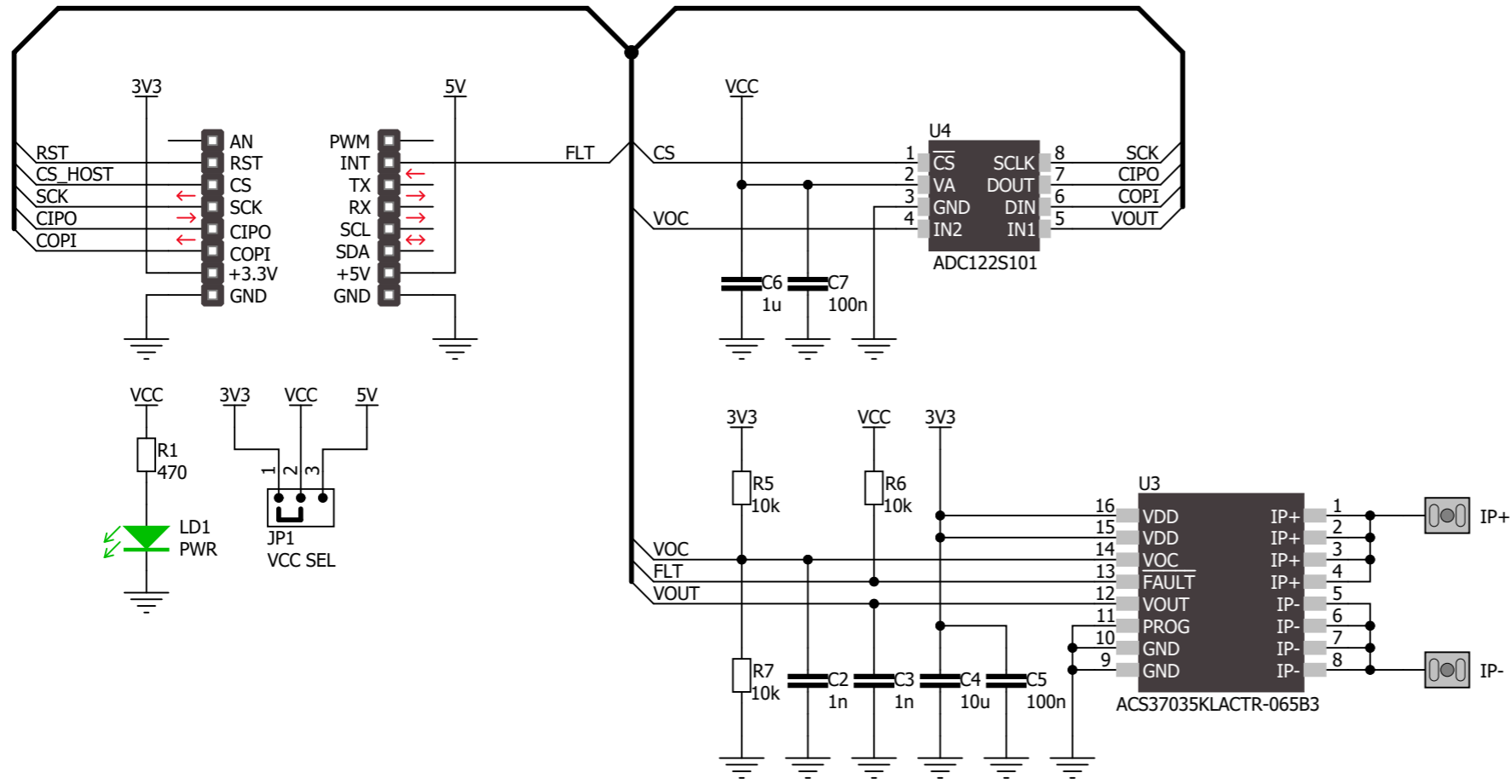


# Hall Current 25 Click schematic v101



[www.mikroe.com](http://www.mikroe.com)