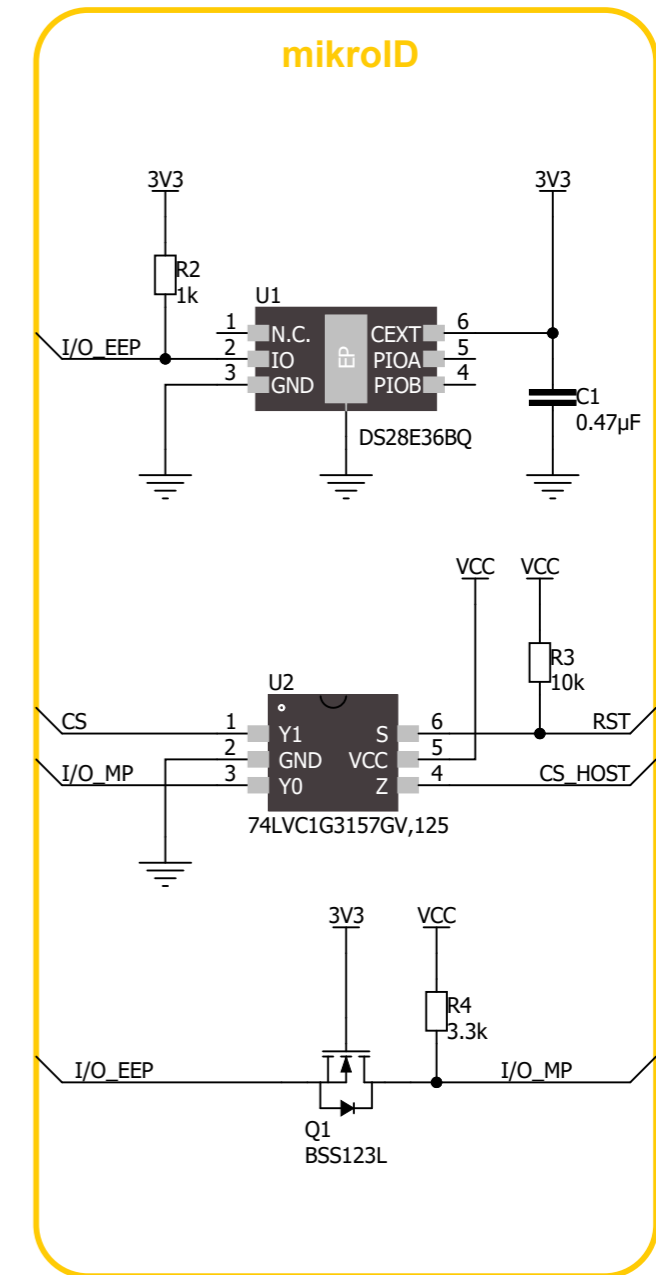
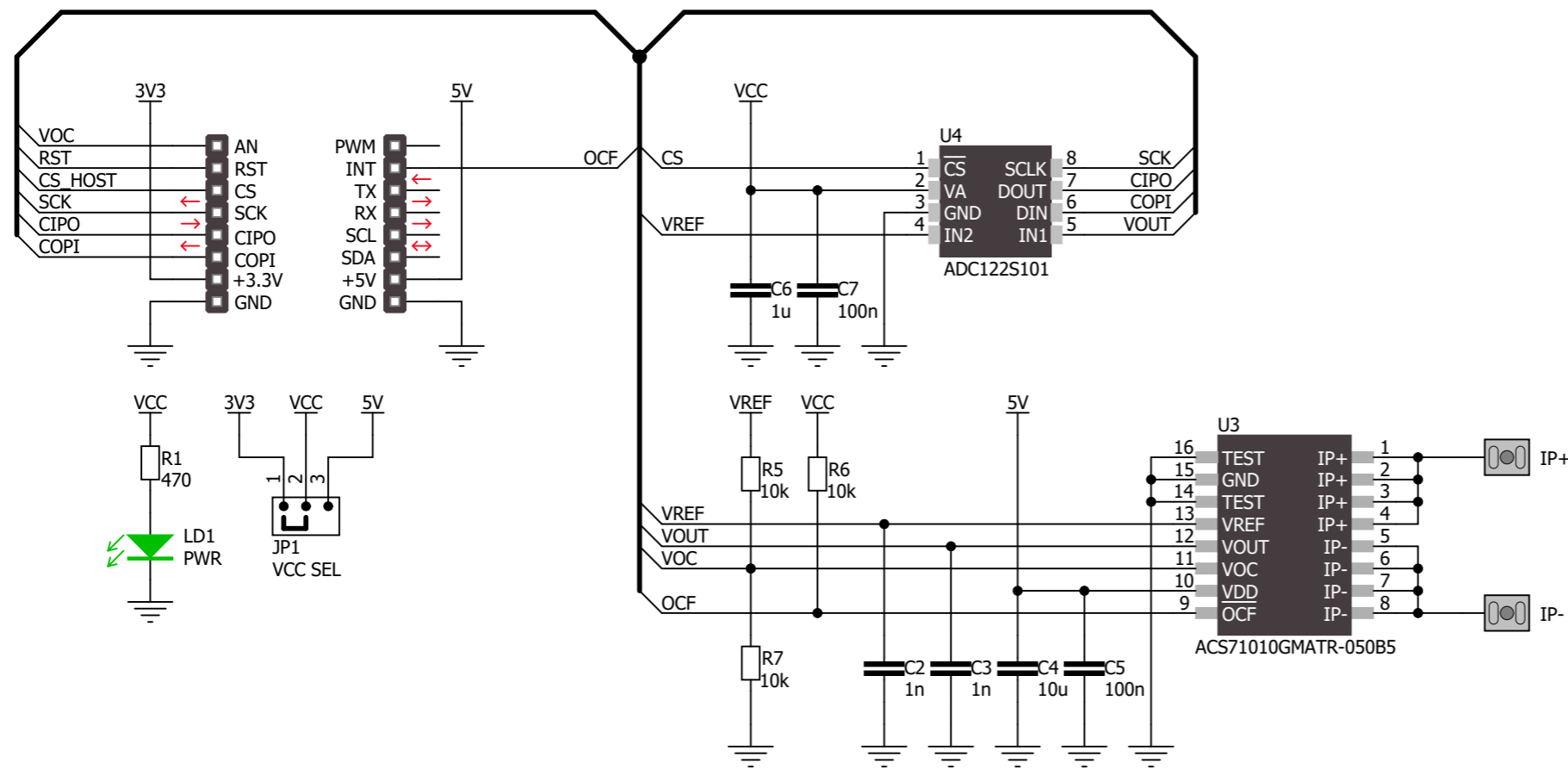


Hall Current 23 Click schematic v101



www.mikroe.com