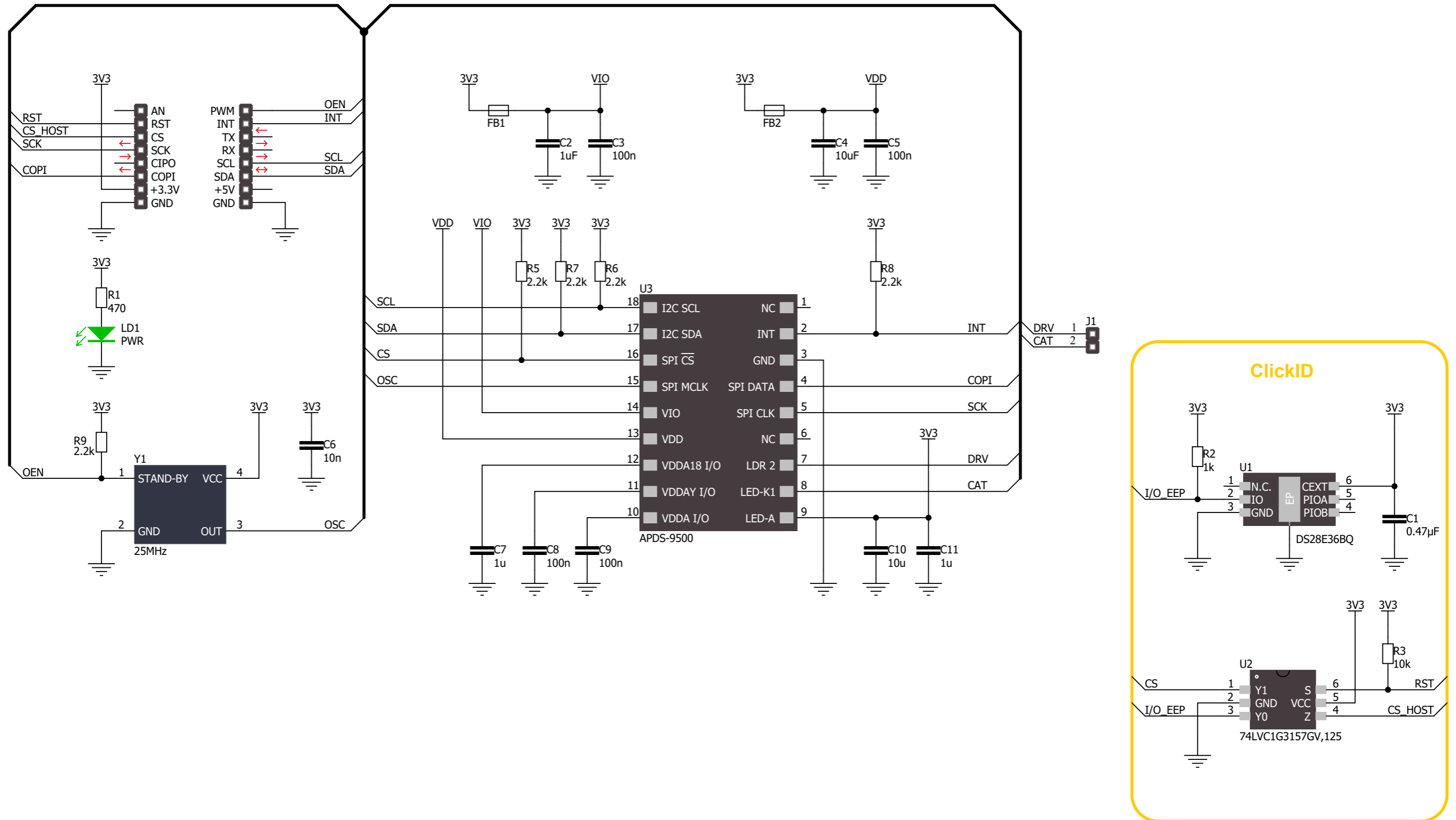


Gesture Click schematic v102



www.mikroe.com