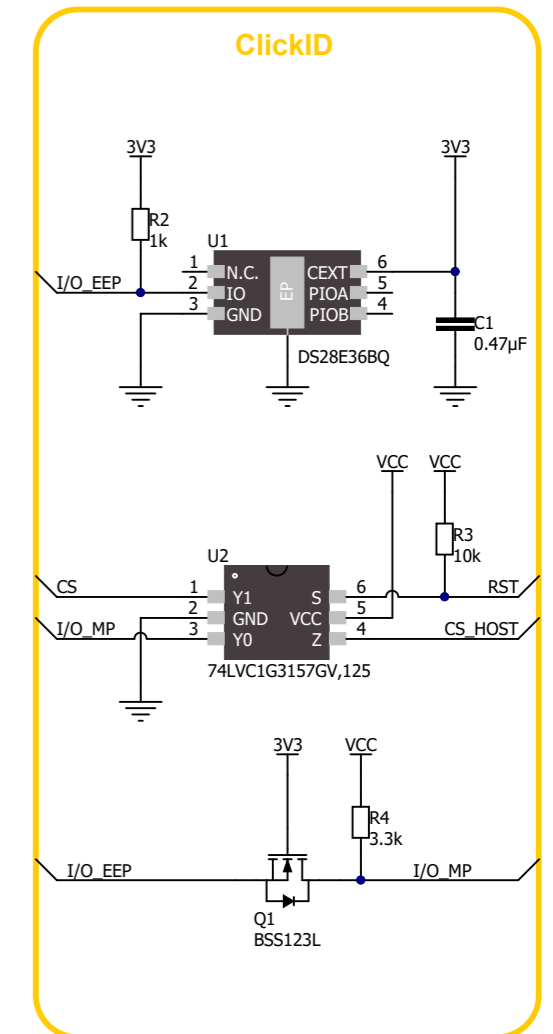
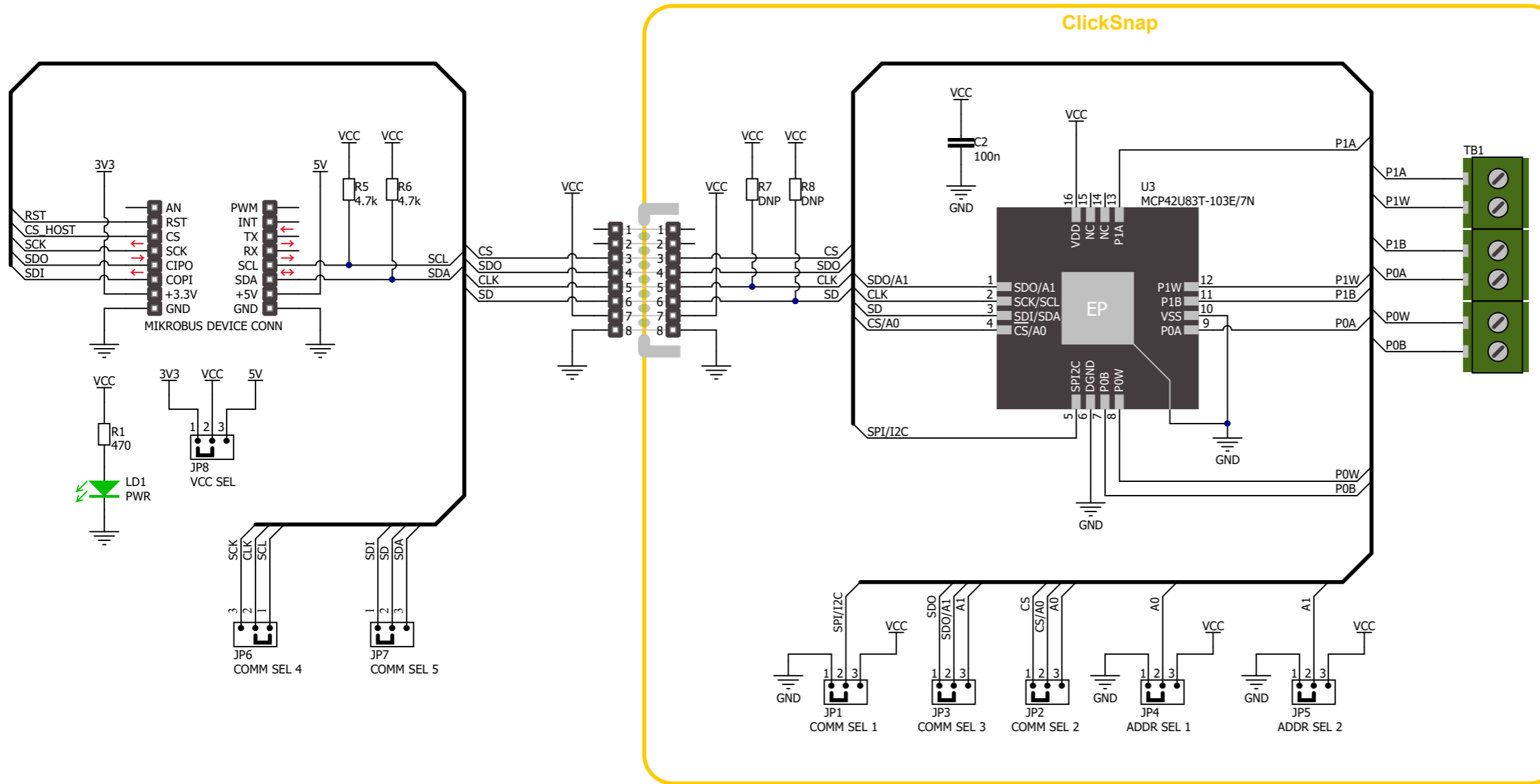


# DIGI POT 10 Click schematic v100



[www.mikroe.com](http://www.mikroe.com)