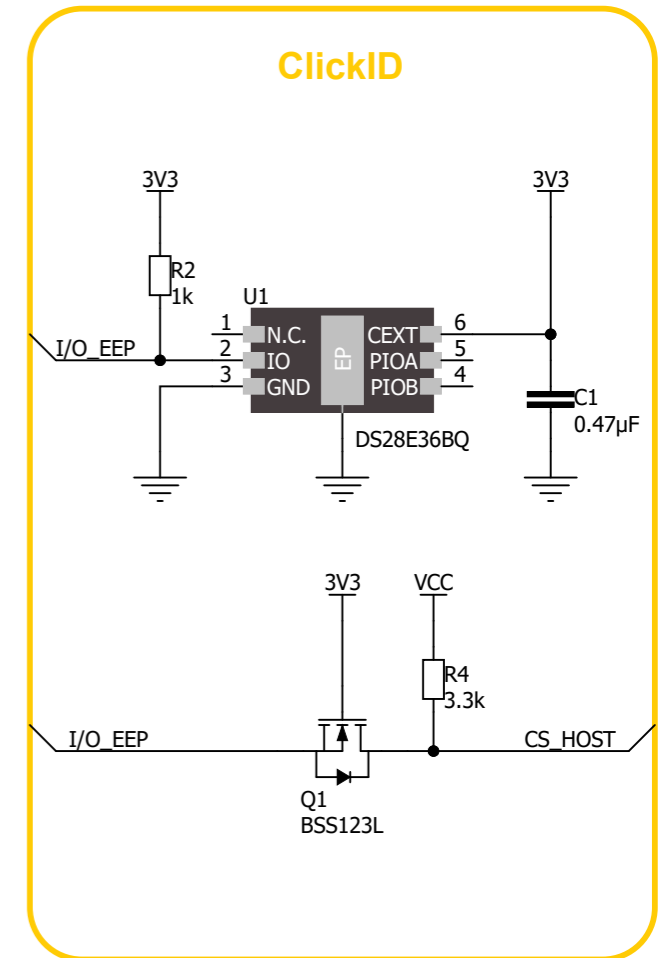
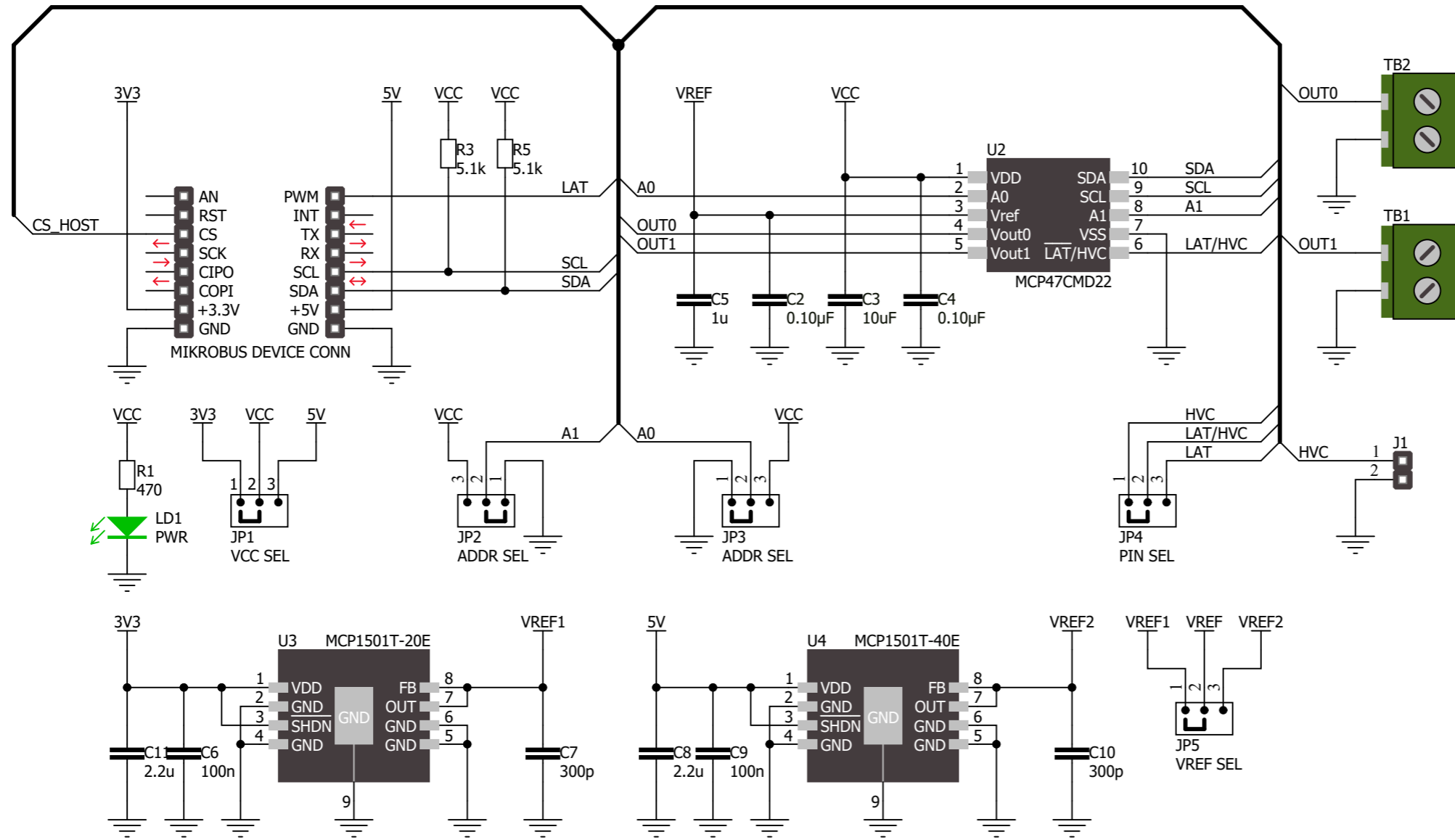


DAC 20 Click schematic v100



www.mikroe.com