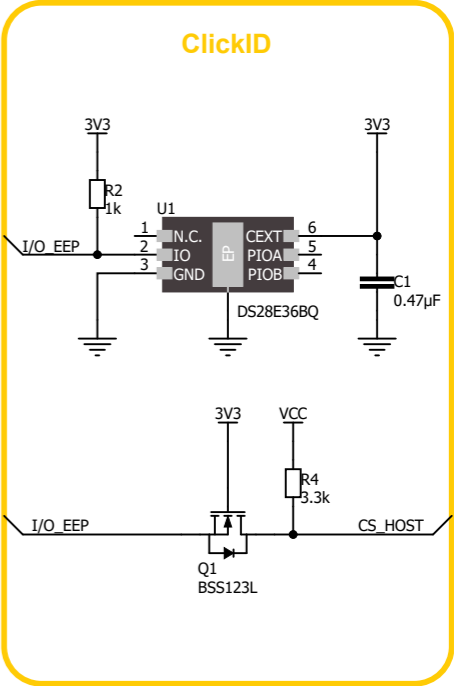
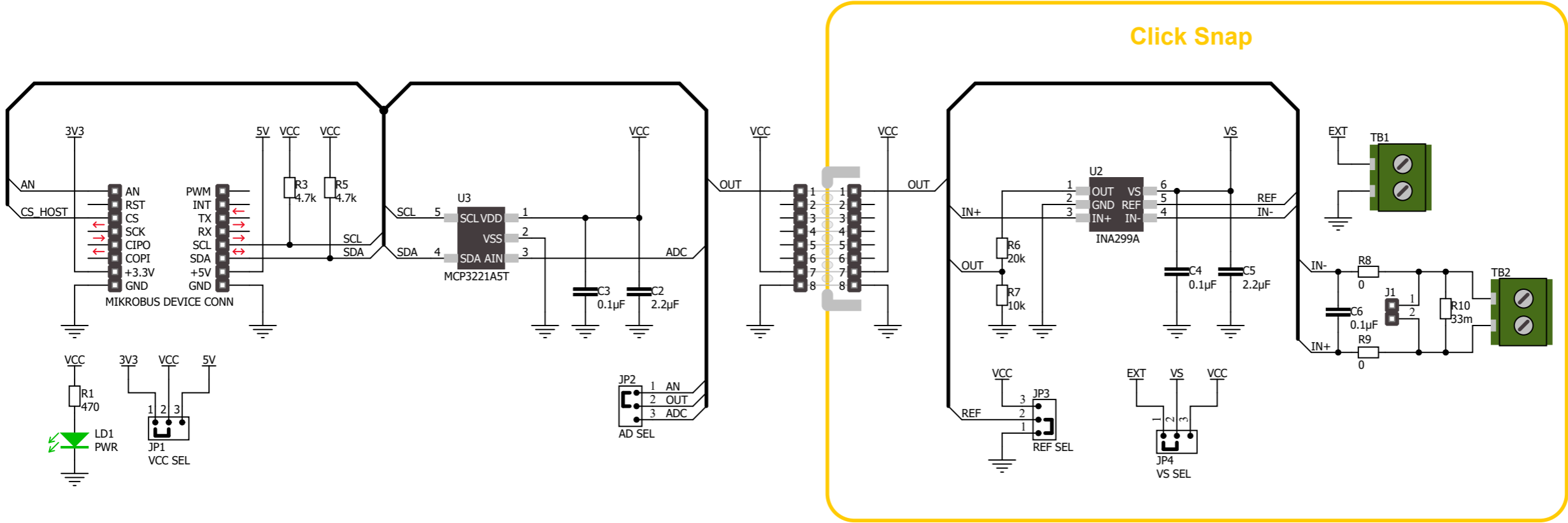


Current 17 Click schematic v100



www.mikroe.com