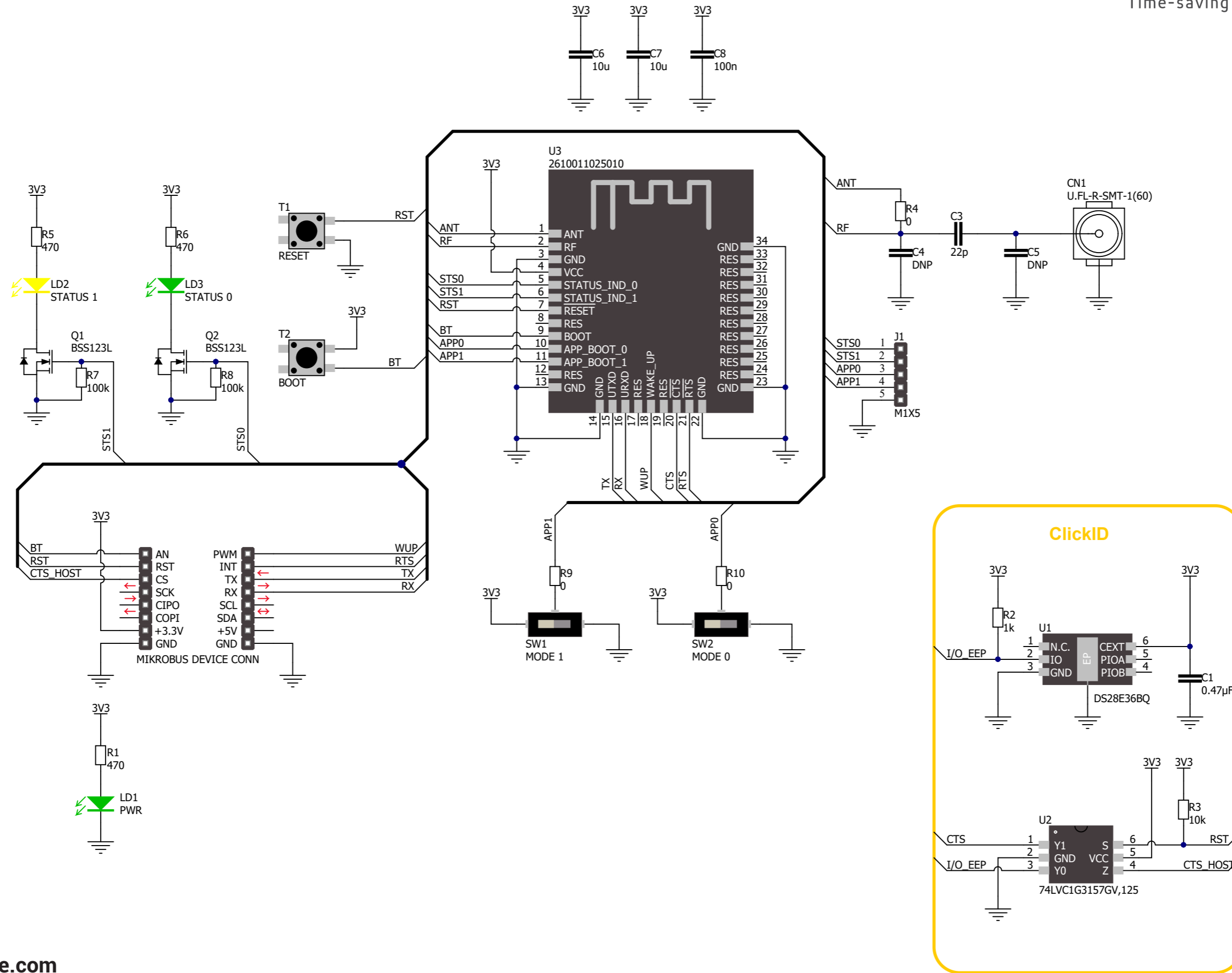


Cordelia-I Click schematic v100



www.mikroe.com