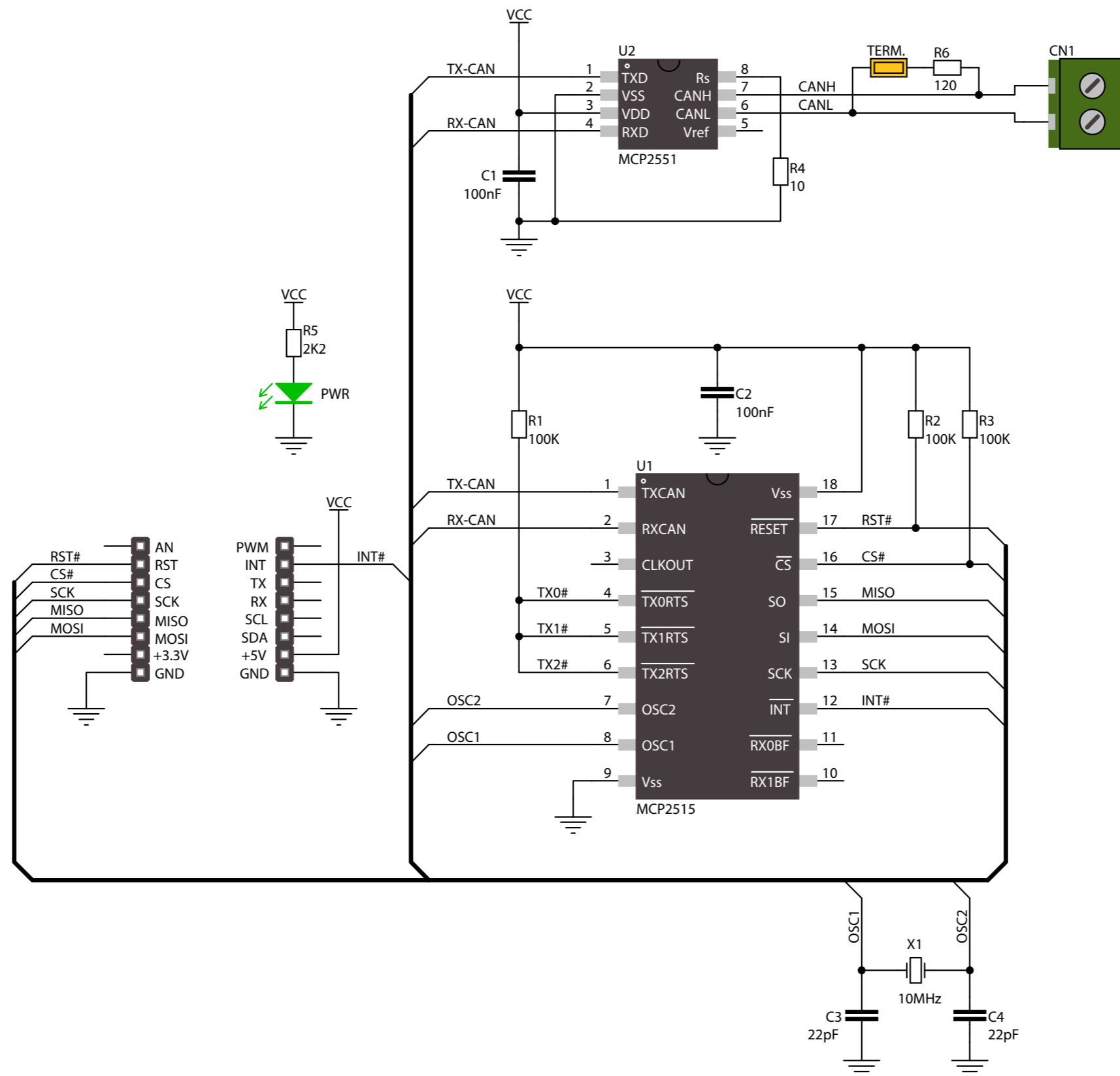


# CAN SPI Click 5V schematic v100



[www.mikroe.com](http://www.mikroe.com)