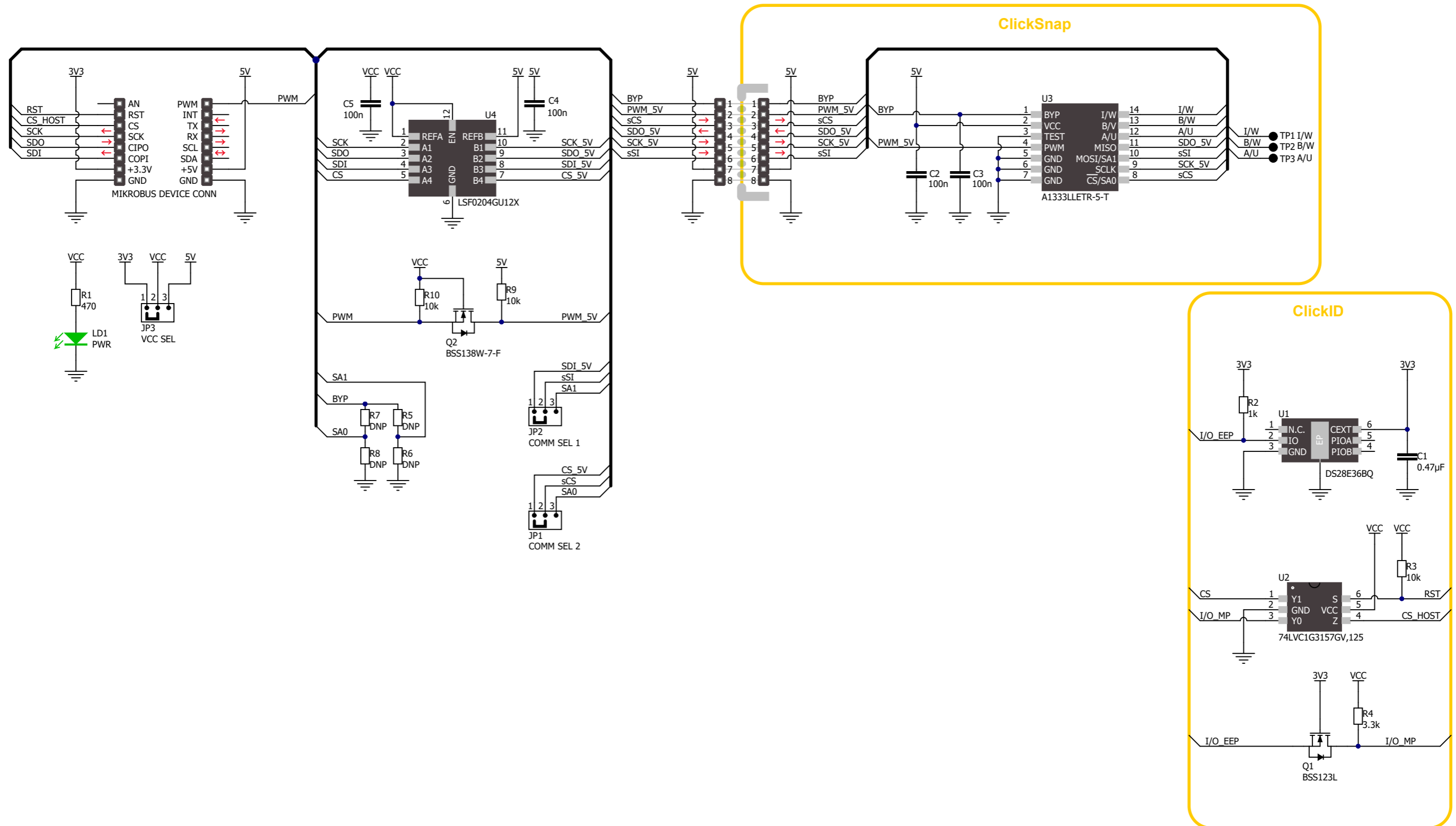


Angle 11 Click schematic v101



www.mikroe.com