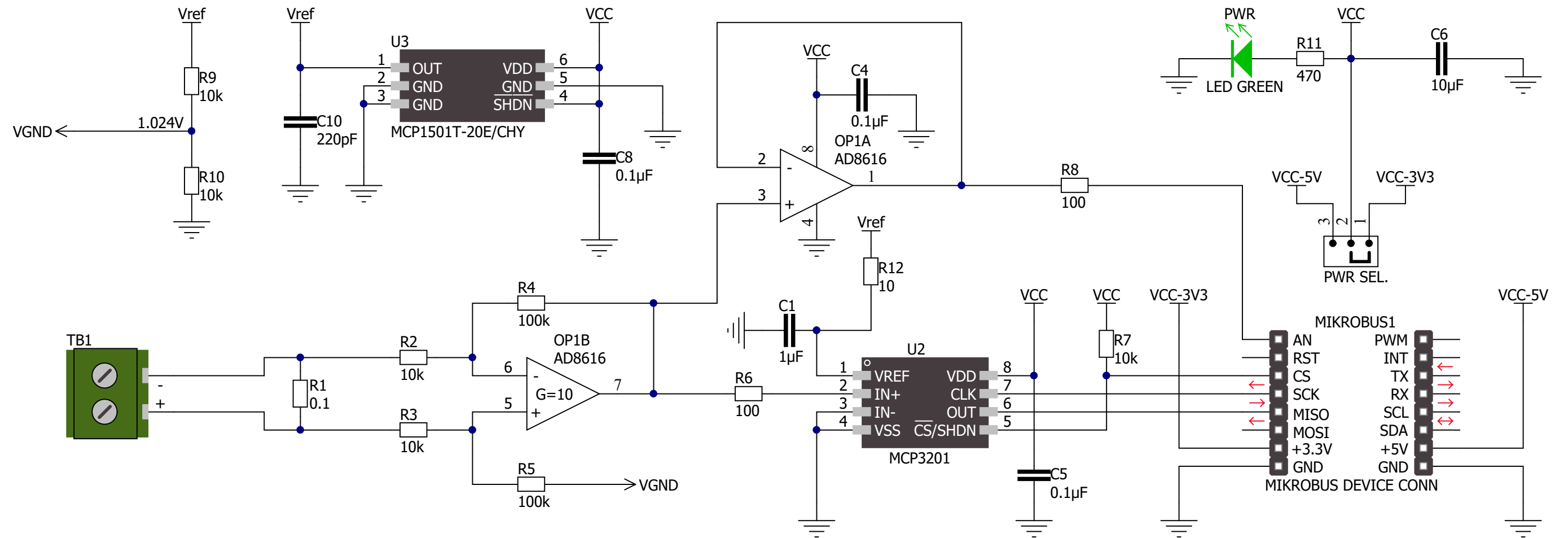


Ammeter Click schematic v101



www.mikroe.com