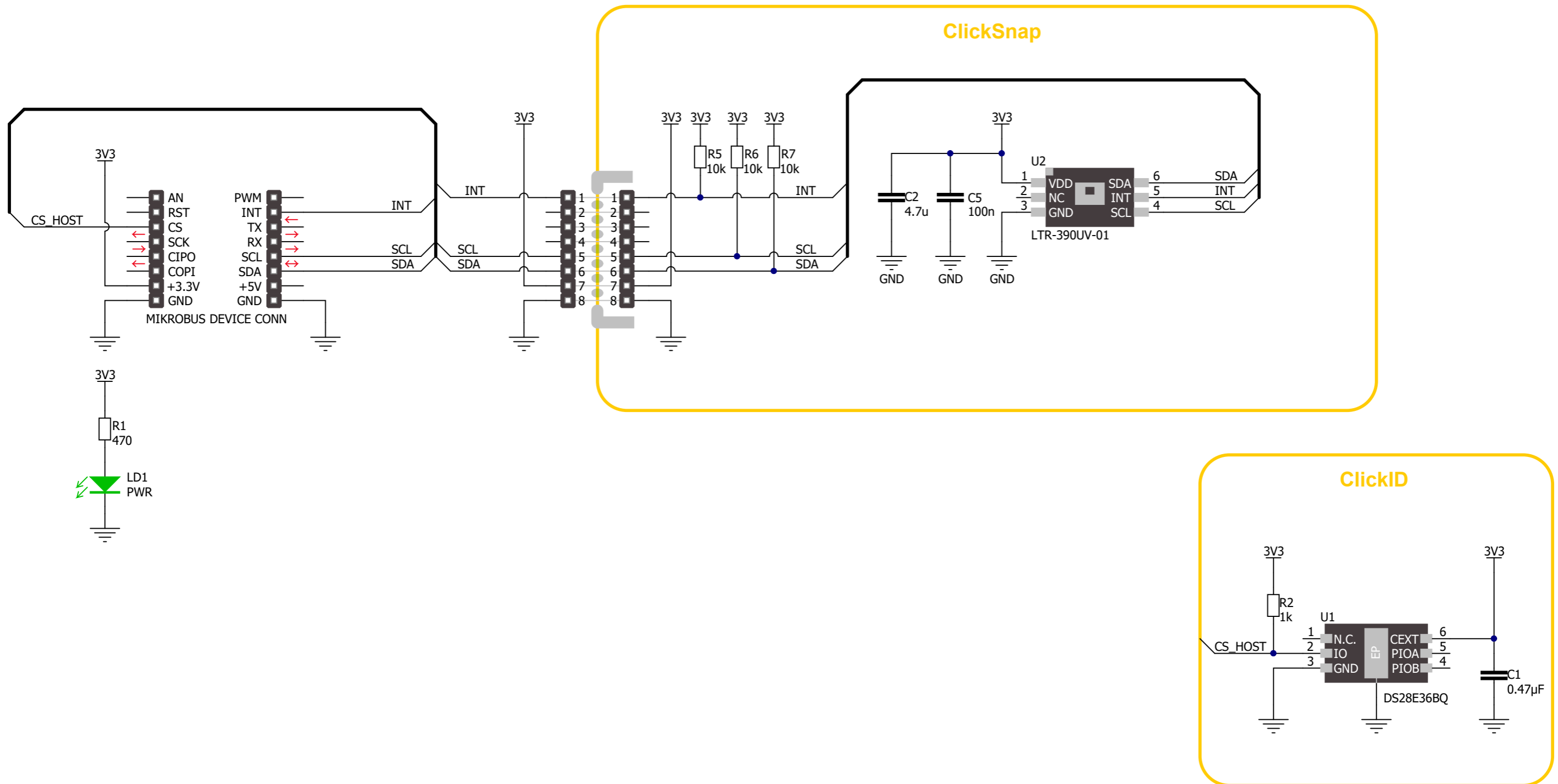


Ambient 26 Click schematic v100



www.mikroe.com