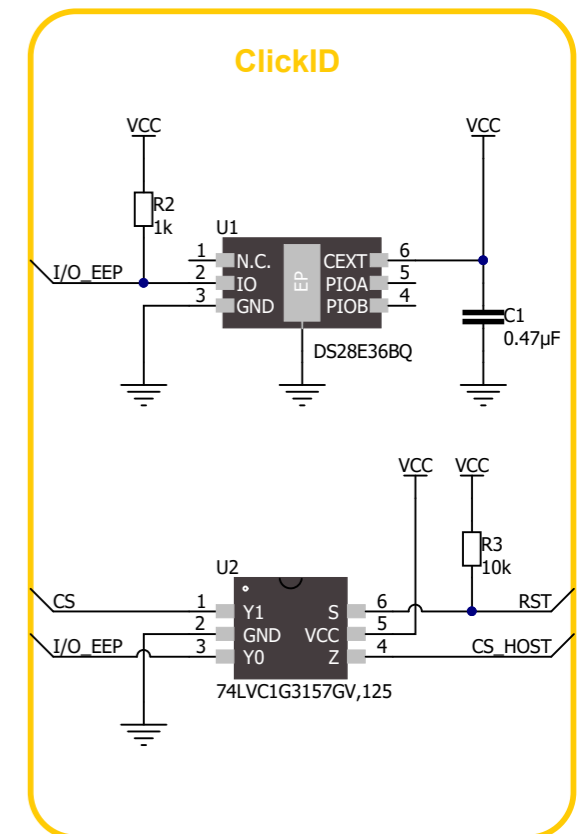
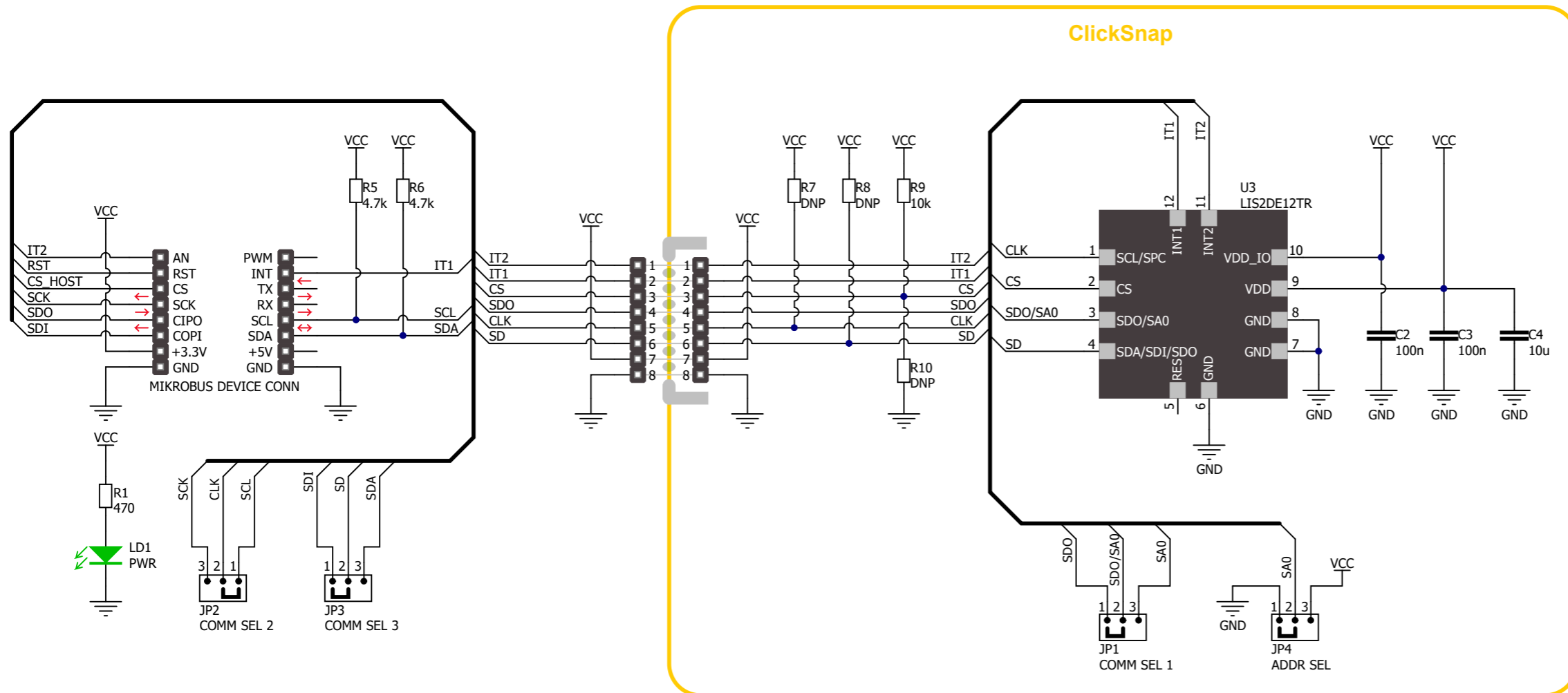


Accel 35 Click schematic v101



www.mikroe.com