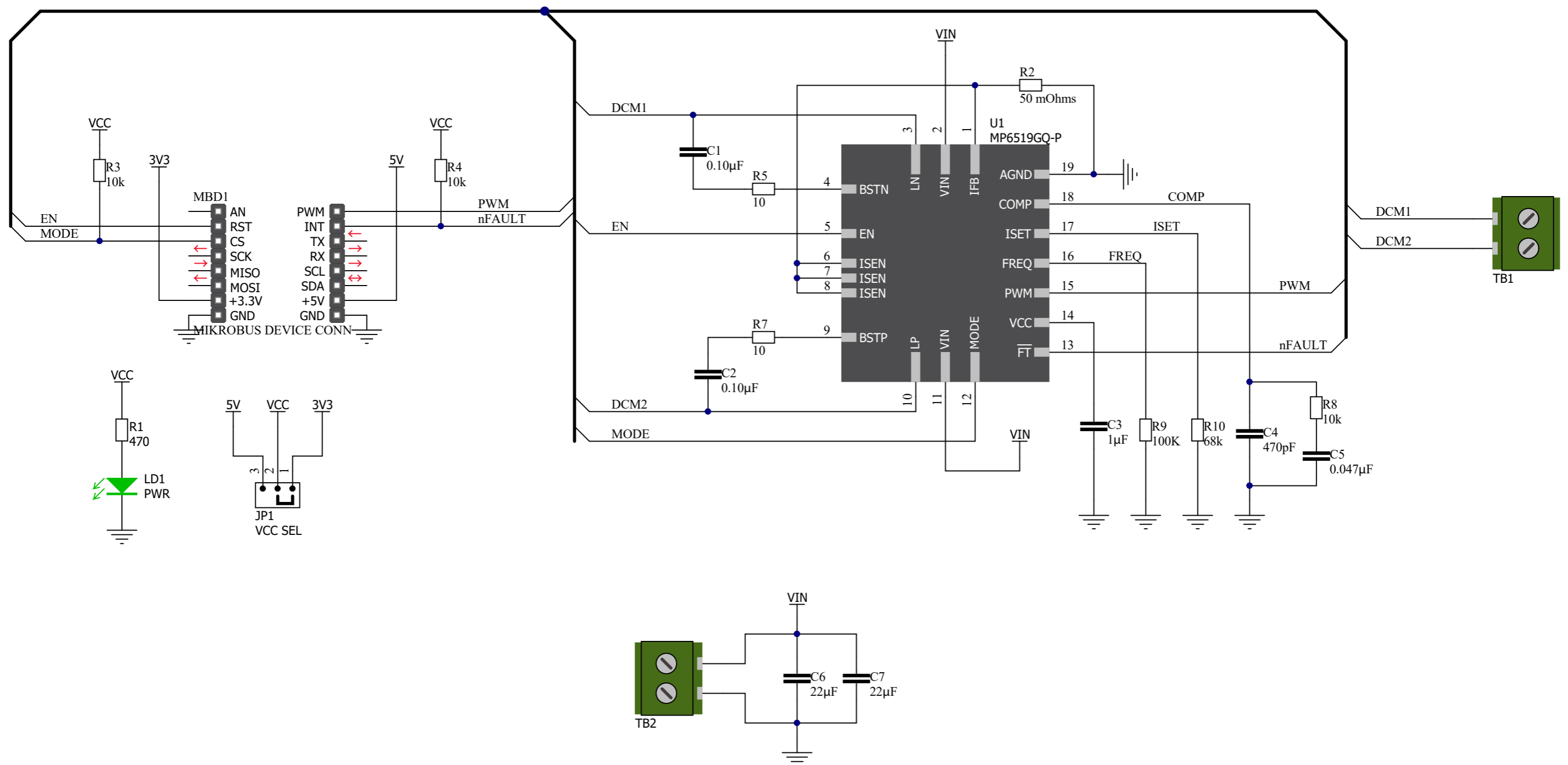


H-Bridge 8 Click schematic v100



www.mikroe.com