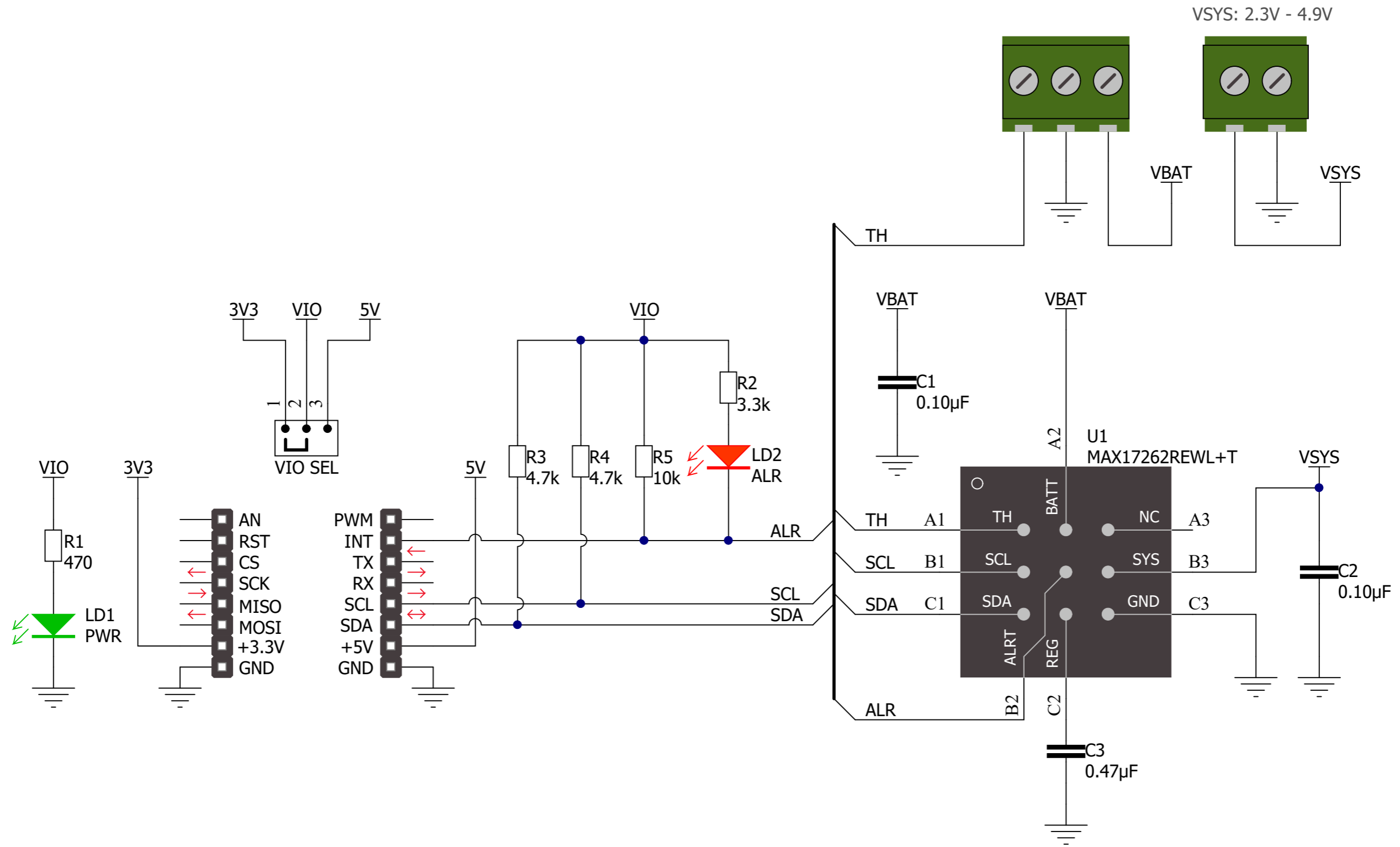


# BATT-MON 2 Click schematic v101



[www.mikroe.com](http://www.mikroe.com)