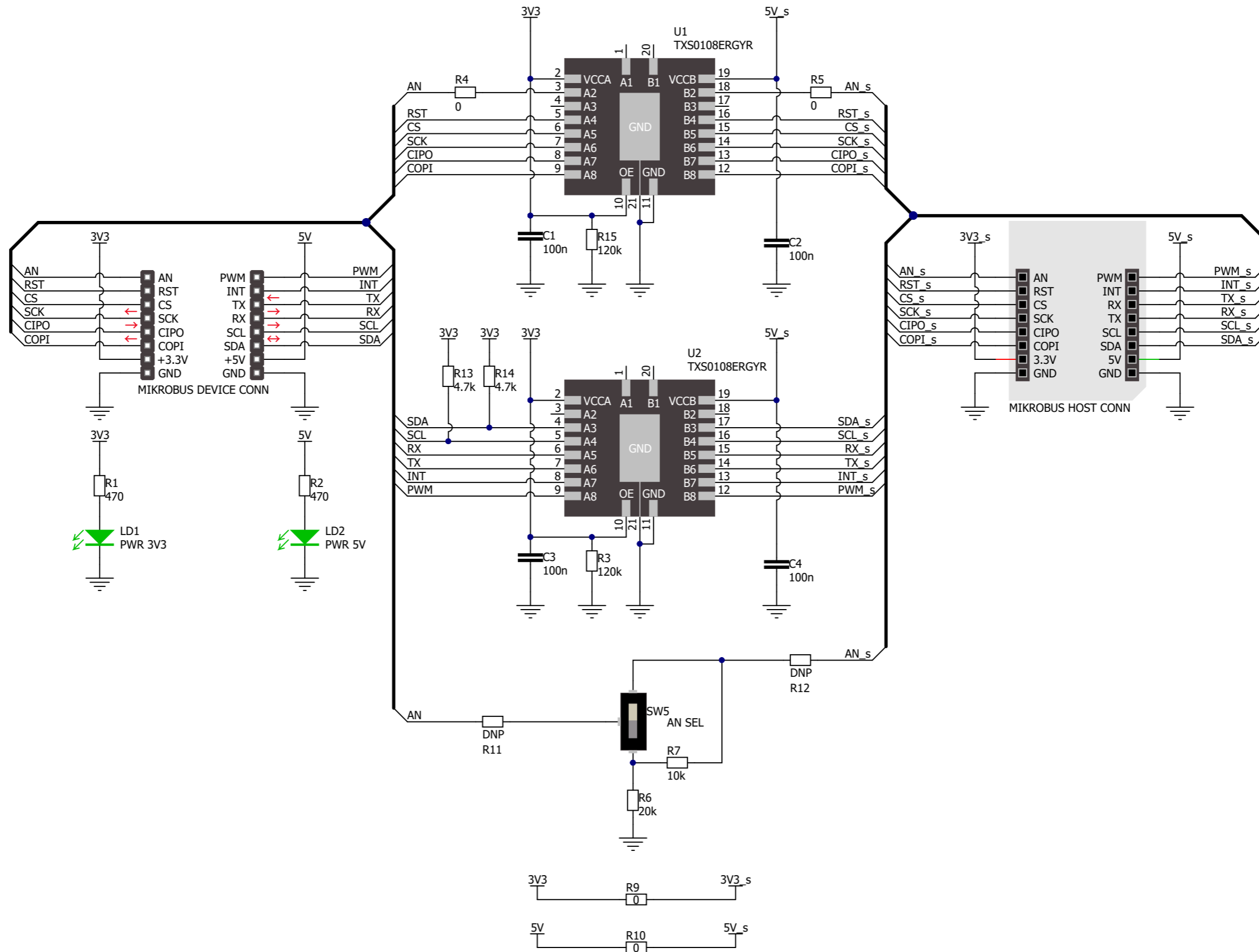


3V3 to 5V Click schematic v100



www.mikroe.com