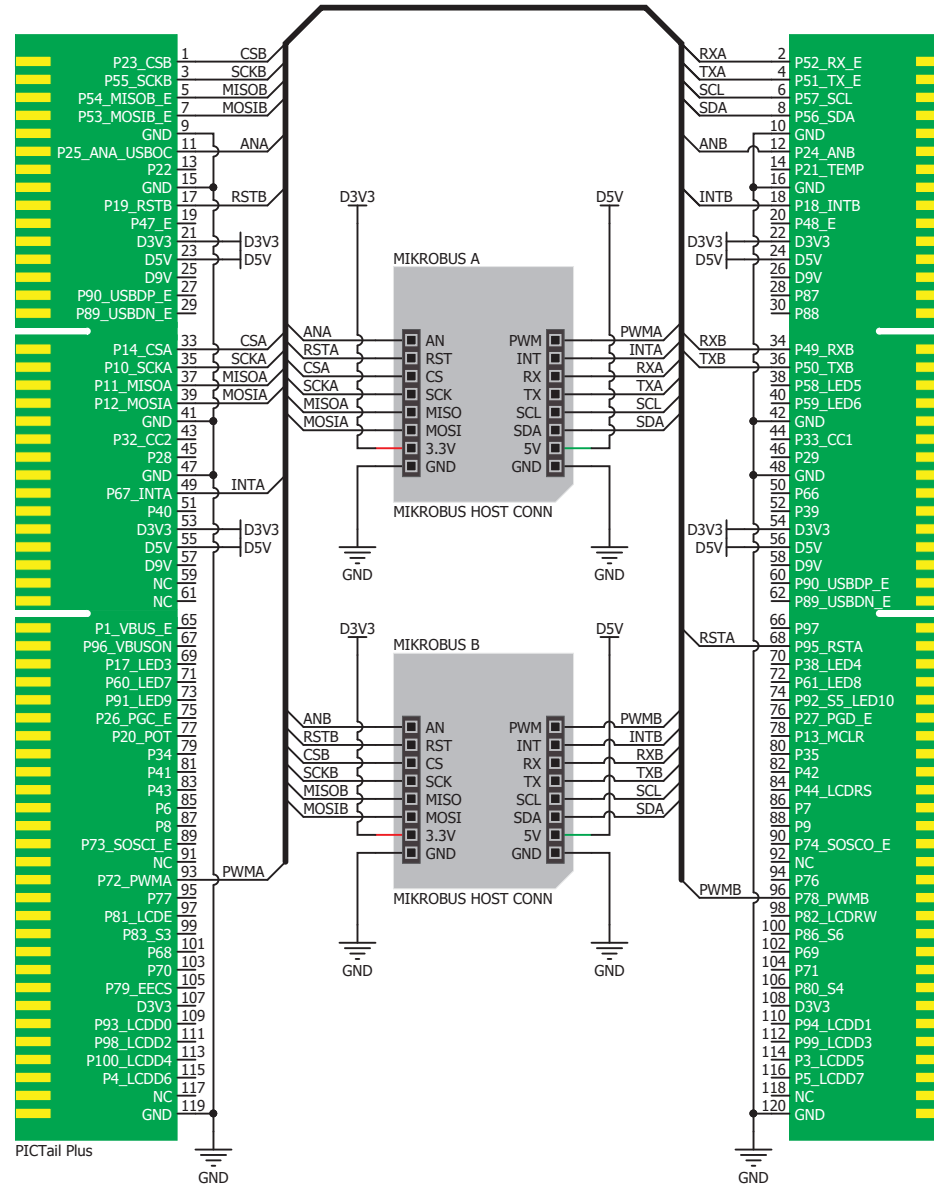


PICtail™ Plus click Adapter schematic v100



www.mikroe.com